



GREYSTONE ENERGY SYSTEMS INC

HIGH ACCURACY ROOM TEMPERATURE SENSOR HATSPC Series

The HATSPC room temperature sensor with resistive setpoint control is available in an attractive wall mount enclosure and can be configured with various options. It is available with various high accuracy curve-matched thermistors or RTD sensors to measure temperature.

A back-lit LCD displays room temperature, setpoint on demand and occupancy. Several operating parameters can be programmed using a keypad and on-board jumpers configure the °C/F display or disable the backlight.

Available options include a dry-contact override switch, a five position fan speed switch and a jack for a network connection.



SPECIFICATION:

Power Supply24 Vac/dc $\pm 10\%$
(non-isolated half-wave rectified)
Consumption20 mA max.
Operating Conditions0 - 50°C (32 - 122°F),
0-95% RH non-condensing
EnclosureWhite ABS - IP30 (NEMA 1)
84 w x 119 h x 29 d mm
(3.3" x 4.7" x 1.15")
Wiring Connections.....Screw terminal block (14 to 22 AWG)

Temperature Signal

Sensor TypePlatinum RTD 1000 Ω , 385 Alpha @ 0°C
NTC Thermistor, 10 or 20K Ω @ 25°C
Accuracy**RTD Class A:** $\pm 0.15^\circ\text{C}$ @ 0°C
RTD 1/3 DIN: $\pm 0.1^\circ\text{C}$ @ 0°C
RTD 1/10 DIN: $\pm 0.03^\circ\text{C}$ @ 0°C
NTC Thermistor Type 39:
 $\pm 0.05^\circ\text{C}$, 0-70°C
NTC Thermistor Type 40/46:
 $\pm 0.1^\circ\text{C}$, 0-70°C
NTC Thermistor Type 55:
 $\pm 0.03^\circ\text{C}$, 0-70°C

Setpoint Adjustment

Range.....Up/Down pushbuttons for
 ± 10 resistive steps
SignalSeveral resistive ranges available
See ordering information
Midpoint.....Programmable, 20-23°C or 68-73°F
LCD Increment.....Setpoint step size is 0.5°C or 1.0°F
ActionProgrammable, direct or
reverse acting

LCD Display

Display Range0.0 - 35.0°C or 32.0 - 95.0°F
selectable via jumper
Display Resolution0.5°C / F
Display Size.....38.1 w x 16.5 h mm H (1.5" x 0.65")
Digit Height11.43 mm (0.45")
Symbols°C, °F, OCC
Backlight.....Enable or disable via jumper

Optional Override Switch (S)

Momentary pushbutton.....N.O., SPST, 50 mA @12 Vdc

Occupied Input

Signal type.....Digital input, 0/5 Vdc standard,
active low
ActionCauses "OCC" segment to light on LCD

Optional Communication Jack (E)

4 pin4 Pin header. Requires HHTA -
Hand Held Adapter

Optional Fan Speed Switch (F)

Range.....5 Position-Off, Auto, Low, Medium, High
SignalResistive - 0, 2, 4, 6, 8 K Ω

PART NUMBER SELECTED

PRODUCT SELECTION INFORMATION:

MODEL	Product Description
HATSPC	High Accuracy Room Temperature Sensor w/ Setpoint Adjustment & LCD

CODE	High Accuracy Sensors
18	1000 Ω Platinum, IEC 751, 385 Alpha, thin film, Class A
48	1000 Ω Platinum, IEC 751, 385 Alpha, thin film, 1/3 DIN
22	1000 Ω Platinum, IEC 751, 385 Alpha, thin film, 1/10 DIN
39	10,000 Ω , Type 2, NTC Thermistor, ± 0.05 C
55	10,000 Ω , Type 2, NTC Thermistor, ± 0.03 C
40	10,000 Ω , Type 3, NTC Thermistor, ± 0.1 C
46	20,000 Ω , NTC Thermistor, ± 0.1 C

CODE	Resistance Output (Range 16-26°C in 0.5°C Increments or 60-80°F in 1°F Increments)
P	0 - 10,000 ohms
P1	20,000 - 30,000 ohms
P2	2000 - 3000 ohms
P3	0 - 20,000 ohms
P4	4000 - 2000 ohms
P5	0 - 2000 ohms
P6	8000.7 - 3107.3 ohms
P12	0 - 1000 ohms

CODE	Options (Multiple selections can be made)
E	4 Pin molex external jack for communications
S	Exposed override switch with LCD indication option (OCC)
F	5 position fan switch Off/Auto/Low/Med/High

Greystone Energy Systems, Inc. reserves the right to make design modifications without prior notice.

Due to the many possible configurations, special part numbers may be required. Please contact Greystone for more information

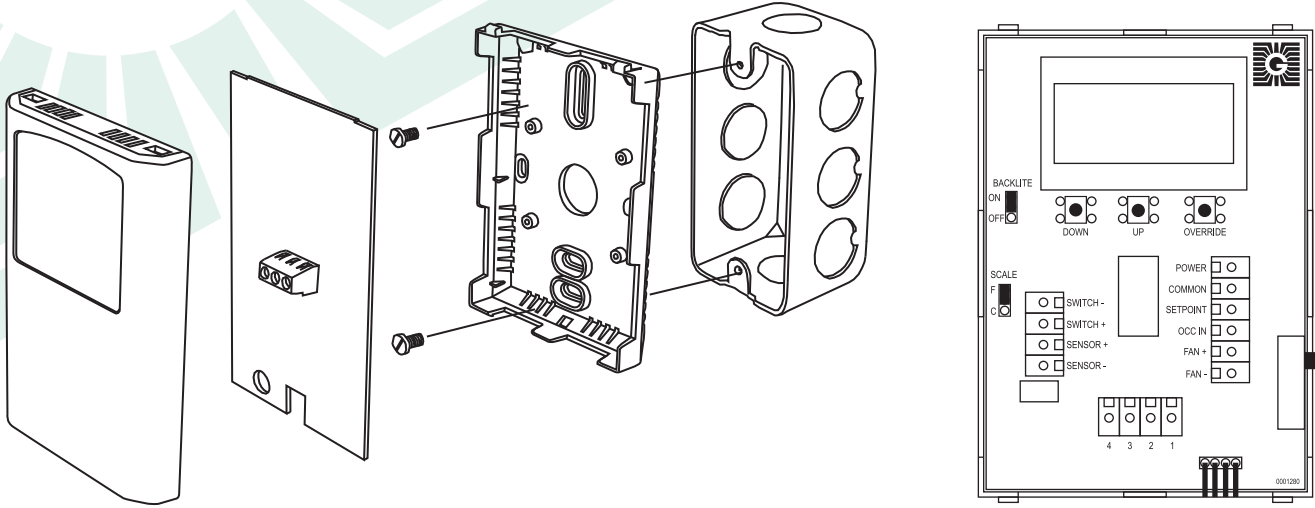
HATSPC**** Description:

TYPICAL INSTALLATION:

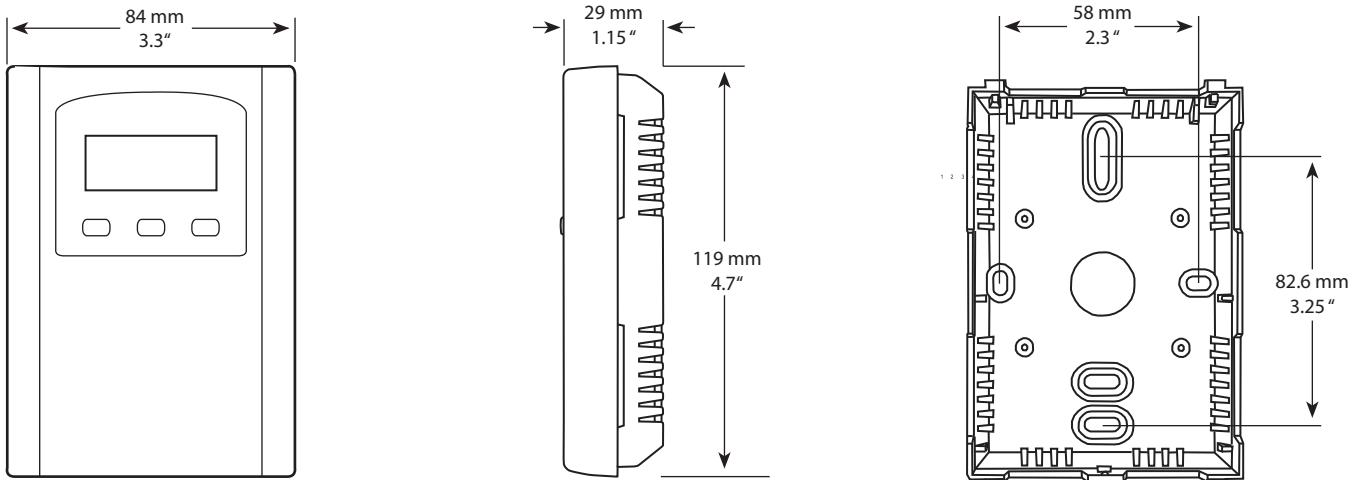
For complete installation and wiring details, please refer to the product installation instructions.

The HATSPC series can be mounted directly to a single gang electrical box or directly to a wall. Insulating foam is adhered to the back of the enclosure to provide a thermal barrier from internal wall temperatures.

A terminal block connection is provided for connection to the Building Automation System. There are several wiring configurations depending on the options selected.



DIMENSIONS:



Greystone Energy Systems, Inc. reserves the right to make design modifications without prior notice.



GREYSTONE
ENERGY SYSTEMS INC

Greystone Energy Systems, Inc.
150 English Drive, Moncton,
New Brunswick, Canada E1E 4G7
(506) 853-3057 Fax: (506) 853-6014
North America: 1-800-561-5611
e-mail: mail@greystoneenergy.com
www.greystoneenergy.com

RoHS
COMPLIANT



Greystone Energy Systems Inc. is one of North America's largest manufacturers of HVAC sensors and transmitters for Building Automation Management Systems. We have conscientiously established a worldwidereputation as an industry leader by maintaining leading-edge design technology, prompt technical support, and a commitment to on-time deliveries. We take pride in our Quality Management System, assuring our customers of consistent product reliability.