

## HIGH ACCURACY STRAP-ON TEMPERATURE SENSOR HATSSO Series

The high accuracy single point strap-on temperature sensor has a precision sensor bonded to a 38 mm x 38 mm (1.5" x 1.5") aluminum plate and adhered to a 38 mm (1.5") square compressible foam. A 254 mm (10") S/S Pipe clamp is provided to secure the assembly to various sizes of pipe. All probes are constructed to provide excellent heat transfer, fast response and are potted to resist moisture penetration.



### SPECIFICATION:

Sensor Type .....	Various Thermistors or RTD
Sensor Accuracy.....	<b>RTD Class A:</b> ±0.15°C @ 0°C <b>RTD 1/3 DIN:</b> ±0.1°C @ 0°C <b>RTD 1/10 DIN:</b> ±0.03°C @ 0°C <b>NTC Thermistor Type 39:</b> ±0.05°C, 0 to 70°C <b>NTC Thermistor Type 55:</b> ±0.03°C, 0 to 70°C <b>NTC Thermistor Type 40/46:</b> ±0.1°C, 0 to 70°C
Probe Material .....	Aluminum plate with compressible foam backing
Probe Sensing Range.....	-20 to 105°C (-4 to 221°F)
Ambient Operating Range..	-40 to 50°C (-40 to 122°F)
Probe Size.....	38 mm (1.5") square
Wire Material.....	PVC insulated, parallel bonded
Enclosure .....	ABS - UL94-V0, IP65 (NEMA4X) C - includes terminal block E - includes thread adapter (1/2" NPT to M16), cable gland fitting, and terminal block
Termination .....	A - pigtail, 2 or 3 wire C & E - terminal block, 2 or 3 wire
Country of Origin.....	Canada

### TYPICAL INSTALLATION:

**For complete installation and wiring details, please refer to the product installation instructions.**

The single point sensor series can be mounted directly to various sizes of pipes and secured using the 10" S/S pipe clamp.

If necessary, remove a section of insulation from the pipe. The 10" S/S pipe clamp is a "Quick Release" type and can be separated by moving the tightening screw so that it is perpendicular to the clamp and sliding the clamp apart. Position the aluminum plate on the pipe so it makes the best contact, wrap the clamp around the pipe and re-assemble and tighten. Any excess clamp may be cut off.

Wiring connections are made inside the enclosure using a 2 or 3 wire pigtail.

### PART NUMBER SELECTED

### PRODUCT SELECTION INFORMATION:

MODEL	Product Description
HATSSO	High Accuracy Strap-on Temperature Sensor

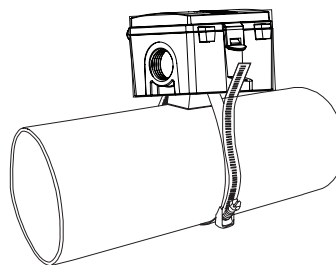
  

CODE	Enclosure
A	ABS, with hinged & gasketed cover
C	Same as A, with terminal block
E	Same as C, with thread adapter & cable gland fitting

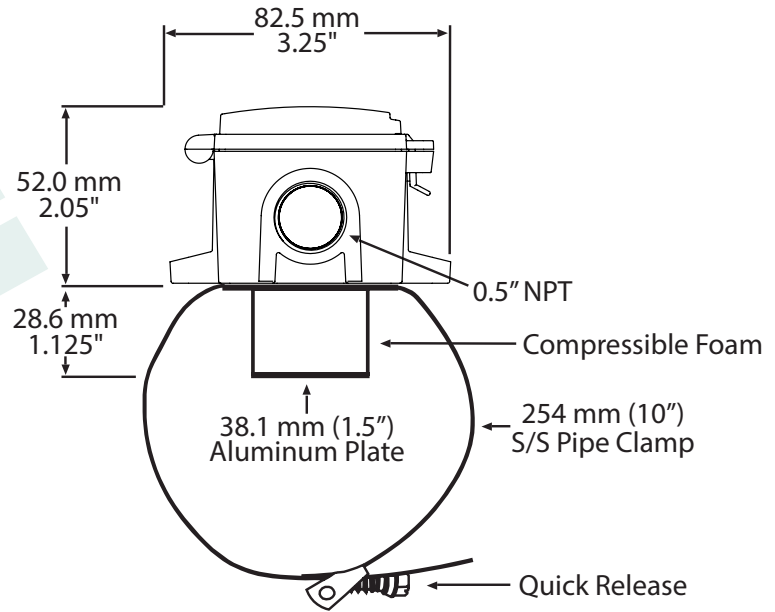
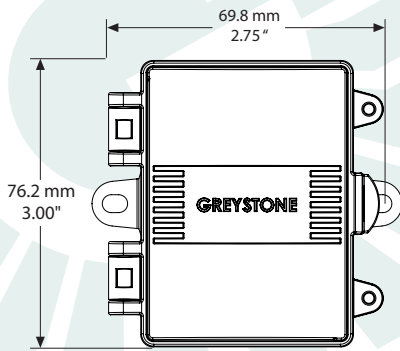
  

CODE	Sensor
18X	1000 Ω Platinum, IEC 751, 385 Alpha, thin film, Class A
41X	1000 Ω, Platinum, 3 wire, IEC 751, 385 Alpha, thin film, Class A
49X	1000 Ω, Platinum, 3 wire, IEC 751, 385 Alpha, thin film, 1/3 DIN
50X	1000 Ω Platinum, 3 wire, IEC 751, 385 Alpha, thin film, 1/10 DIN
39X	10,000 Ω Type 2, NTC Thermistor, ±0.05°C
55X	10,000 Ω, Type 2, NTC Thermistor, ±0.03°C
40X	10,000 Ω, Type 3, NTC Thermistor, ±0.1°C
46X	20,000 Ω, NTC Thermistor, ±0.1°C

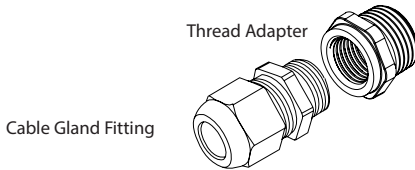
Greystone Energy Systems, Inc. reserves the right to make design modifications without prior notice.



**DIMENSIONS:**



Included with E style enclosure



**GREYSTONE**  
**ENERGY SYSTEMS INC**  
 Greystone Energy Systems, Inc.  
 150 English Drive, Moncton,  
 New Brunswick, Canada E1E 4G7  
 (506) 853-3057 Fax: (506) 853-6014  
 North America: 1-800-561-5611  
 e-mail: mail@greystoneenergy.com  
 www.greystoneenergy.com

**RoHS**  
 COMPLIANT

**MADE IN CANADA**

**ISO 9001**

**CE**

*Greystone Energy Systems Inc. is one of North America's largest ISO registered manufacturers of HVAC/R sensors and transmitters for Building Automation Management Systems. We have conscientiously established a worldwide reputation as an industry leader by maintaining leading-edge design technology, prompt technical support, and a commitment to on-time deliveries. We take pride in our Quality Management System which is ISO 9001 certified, assuring our customers of consistent product reliability.*

GREYSTONE HAS AN **ISO 9001** REGISTERED QUALITY SYSTEM