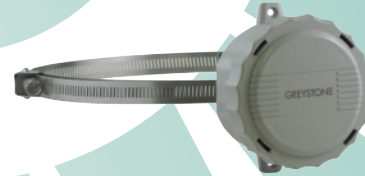




HIGH ACCURACY STRAP-ON TEMPERATURE SENSOR HATSSO Series

The HATSSO single point strap-on temperature sensor has a high accuracy sensor bonded to a 38 mm x 38 mm (1.5" x 1.5") aluminum plate and adhered to a 38 mm x 25.4 mm (1.5 x 1") compressible foam. A 254 mm (10") S/S Pipe clamp is provided to secure the assembly to various sizes of pipe. All probes are constructed to provide excellent heat transfer, fast response and are potted to resist moisture penetration. It is available with a variety of enclosures.



SPECIFICATION:

Sensor Type Platinum RTD, 1000 Ω, 385 Alpha @ 0°C
 NTC Thermistor, 10,000 Ω @ 25°C, Type 2 or 3
 NTC Thermistor, 20,000 Ω @ 25°C

Temperature Range.....-20 to 105 °C (-4 to 221 °F)

Accuracy **RTD Class A:** ±0.15°C @ 0°C
RTD 1/3 DIN: ±0.1°C @ 0°C
RTD 1/10 DIN: ±0.03°C @ 0°C
NTC Thermistor Type 39 : ±0.05°C, 0-70°C
NTC Thermistor Type 55 : ±0.03°C, 0-70°C
NTC Thermistor Type 40/46 : ±0.1°C, 0-70°C

Wire Material PVC insulated, parallel bonded

Probe Material 38 mm (1.5") square aluminum plate
 w/ compressible foam backing

Enclosure Round (E) - Grey ABS - UL94-V0 - IP65 (NEMA 4X)
 Weatherproof PVC (P) - IP65 (NEMA 4X)

Termination Pigtail 2 or 3 wire

PART NUMBER SELECTED

PRODUCT SELECTION INFORMATION:

CODE	Product Description
HATSSO	High Accuracy Strap-On Temperature Sensor

CODE	Enclosure
E	Round ABS, with gasket cover
P	PVC Weatherproof

CODE	Sensor
18	1000 Ω Platinum, 2 Wire, IEC 751, 385 Alpha, thin film, Class A
48	1000 Ω Platinum, 2 Wire, IEC 751, 385 Alpha, thin film, 1/3 DIN
22	1000 Ω Platinum, 2 Wire, IEC 751, 385 Alpha, thin film, 1/10 DIN
41	1000 Ω Platinum, 3 Wire, IEC 751, 385 Alpha, thin film, Class A
49	1000 Ω Platinum, 3 Wire, IEC 751, 385 Alpha, thin film, 1/3 DIN
50	1000 Ω Platinum, 3 Wire, IEC 751, 385 Alpha, thin film, 1/10 DIN
39	10,000 Ω, Type 2, NTC Thermistor, ±0.05 C
55	10,000 Ω, Type 2, NTC Thermistor, ±0.03 C
40	10,000 Ω, Type 3, NTC Thermistor, ±0.1 C
46	20,000 Ω, NTC Thermistor, ±0.1 C

TYPICAL INSTALLATION:

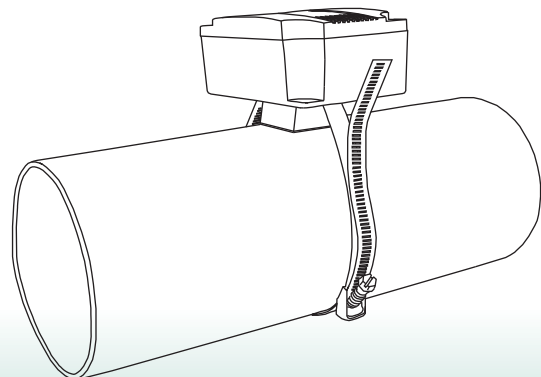
For complete installation and wiring details, please refer to the product installation instructions.

For best results, thermal conductive compound should be applied to pipe prior to mounting the probe.

The HATSSO series can be mounted directly to various sizes of pipes and secured using the 10" S/S pipe clamp.

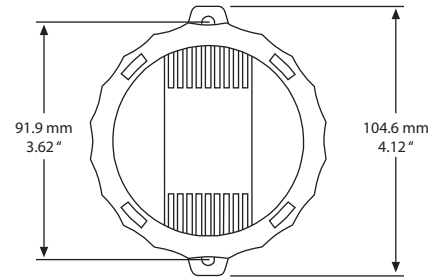
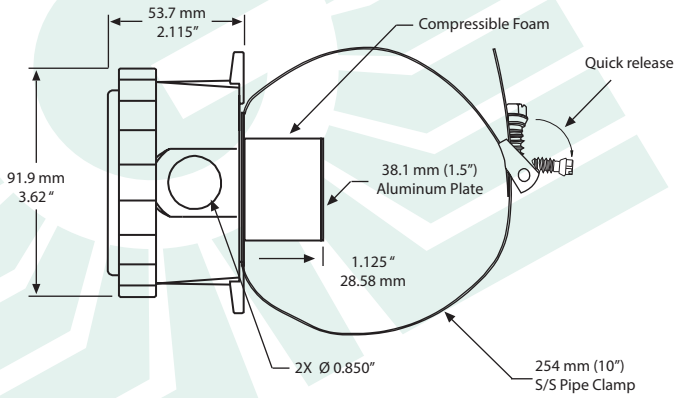
If necessary, remove a section of insulation from the pipe. The 10" S/S pipe clamp is a "Quick Release" type and can be separated by moving the tightening screw so that it is perpendicular to the clamp and sliding the clamp apart. Position the aluminum plate on the pipe so it makes the best contact, wrap the clamp around the pipe and re-assemble and tighten. Any excess clamp may be cut off.

Wiring connections are made inside the enclosure using a 2 or 3 wire pigtail. On the Round (B) enclosure a terminal strip is provided.

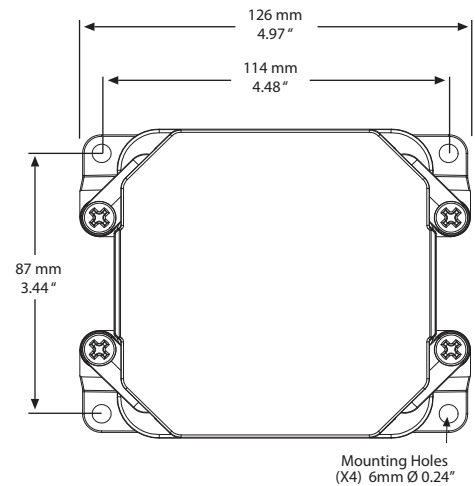
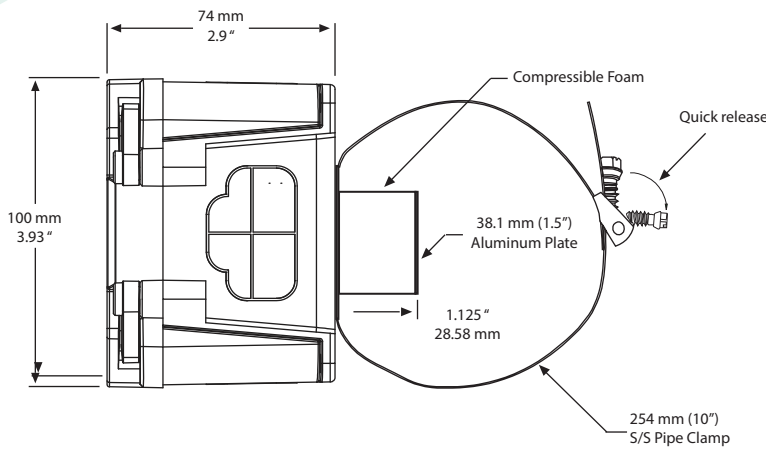


DIMENSIONS:

Round ABS Enclosure (E)



PVC Enclosure (P)



Greystone Energy Systems, Inc. reserves the right to make design modifications without prior notice.



GREYSTONE

ENERGY SYSTEMS INC

Greystone Energy Systems, Inc.
150 English Drive, Moncton,
New Brunswick, Canada E1E 4G7

(506) 853-3057 Fax: (506) 853-6014
North America: 1-800-561-5611
e-mail: mail@greystoneenergy.com
www.greystoneenergy.com

RoHS
COMPLIANT



Greystone Energy Systems Inc. is one of North America's largest ISO registered manufacturers of HVAC/R sensors and transmitters for Building Automation Management Systems.

We have conscientiously established a worldwide reputation as an industry leader by maintaining leading-edge design technology, prompt technical support, and a commitment to on-time deliveries. We take pride in our Quality Management System which is ISO 9001 certified, assuring our customers of consistent product reliability.

GREYSTONE HAS AN ISO 9001 REGISTERED QUALITY SYSTEM