



HIGH ACCURACY STRAP-ON TEMPERATURE SENSOR HATSRP Series

The HATSRP single point strap-on temperature sensor utilizes a high accuracy sensor encapsulated in a 6.35 mm (0.25") OD, 304 stainless steel probe and is available in various lengths (see ordering chart). Standard wire length is 1.5 m (5'). All probes are constructed to provide excellent heat transfer, fast response and are potted to resist moisture penetration. It is available with a variety of enclosures.

SPECIFICATION:

Sensor Type Platinum RTD, 1000 Ω, 385 Alpha @ 0°C
 NTC Thermistor, 10,000 Ω @ 25°C, Type 2 or 3
 NTC Thermistor, 20,000 Ω @ 25°C

Temperature Range... -20 to 105 °C (-4 to 221 °F)

Accuracy **RTD Class A:** ±0.15°C @ 0°C
RTD 1/3 DIN: ±0.1°C @ 0°C
RTD 1/10 DIN: ±0.03°C @ 0°C
NTC Thermistor Type 39 : ±0.05°C, 0-70°C
NTC Thermistor Type 55 : ±0.03°C, 0-70°C
NTC Thermistor Type 40/46 : ±0.1°C, 0-70°C

Wire Material 1.524 m (5 pi) PVC insulated, parallel bonded

Probe Material 304 Series Stainless Steel

Probe Dimensions..... 6.35 mm (0.25") Diameter

Enclosure Round (B) - Grey ABS - UL94-V0 - IP65 (NEMA 4X)
 Weatherproof PVC (C) - IP65 (NEMA 4X)

Termination Pigtail 2 or 3 wire



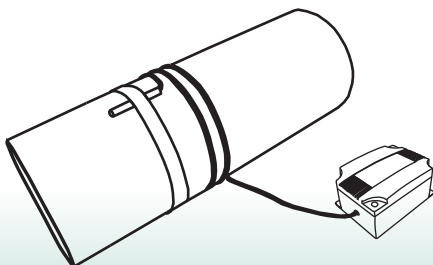
PART NUMBER SELECTED

TYPICAL INSTALLATION:

For complete installation and wiring details, please refer to the product installation instructions.

For best results, thermal conductive compound should be applied to pipe prior to mounting the probe.

Find a suitable location along the pipe where both the probe and remote enclosure can be mounted. If necessary, remove a section of insulation from pipe. Position probe directly on the pipe and secure using a pipe clamp. For added security, make 1-3 loops of the sensor cable around the pipe and feed through wire hole on the enclosure and secure using the supplied grommet. If applicable, the pipe insulation can be re-applied to the pipe over the probe.



PRODUCT SELECTION INFORMATION:

CODE	Product Description
HATSRP	High Accuracy Strap-On Temperature Sensor

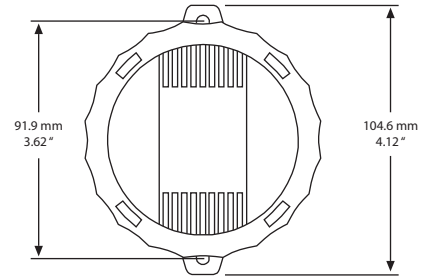
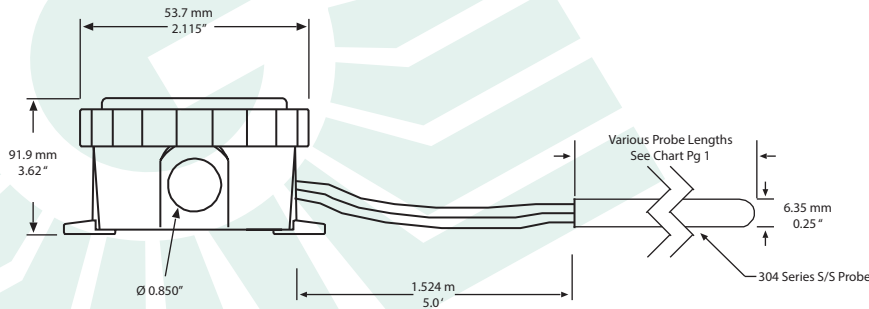
CODE	Enclosure
E	Round ABS, with gasket cover
P	PVC Weatherproof

CODE	Sensor
18	1000 Ω Platinum, 2 Wire, IEC 751, 385 Alpha, thin film, Class A
48	1000 Ω Platinum, 2 Wire, IEC 751, 385 Alpha, thin film, 1/3 DIN
22	1000 Ω Platinum, 2 Wire, IEC 751, 385 Alpha, thin film, 1/10 DIN
41	1000 Ω Platinum, 3 Wire, IEC 751, 385 Alpha, thin film, Class A
49	1000 Ω Platinum, 3 Wire, IEC 751, 385 Alpha, thin film, 1/3 DIN
50	1000 Ω Platinum, 3 Wire, IEC 751, 385 Alpha, thin film, 1/10 DIN
39	10,000 Ω, Type 2, NTC Thermistor, ±0.05 C
55	10,000 Ω, Type 2, NTC Thermistor, ±0.03 C
40	10,000 Ω, Type 3, NTC Thermistor, ±0.1 C
46	20,000 Ω, NTC Thermistor, ±0.1 C

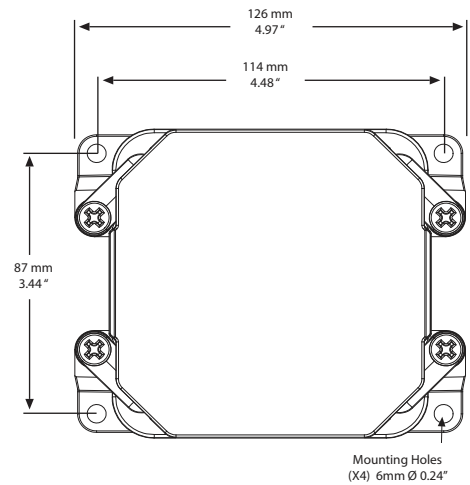
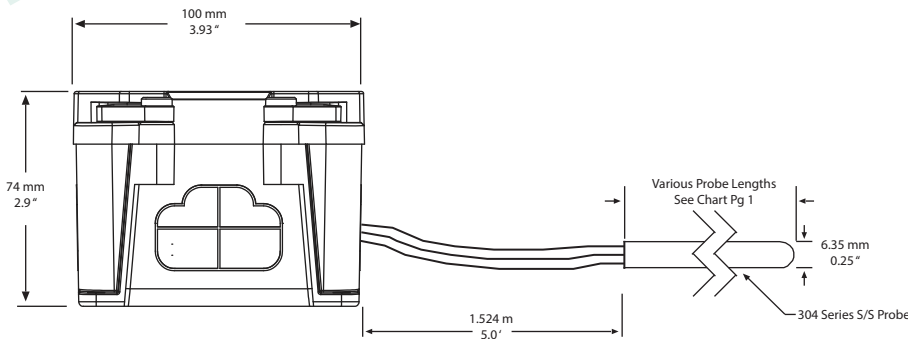
CODE	Probe Length
A	50 mm (2")
B	100 mm (4")
C	150 mm (6")
D	200 mm (8")

DIMENSIONS:

Round ABS Enclosure (B)



PVC Enclosure (C)



Greystone Energy Systems, Inc. reserves the right to make design modifications without prior notice.



GREYSTONE

ENERGY SYSTEMS INC

Greystone Energy Systems, Inc.
 150 English Drive, Moncton,
 New Brunswick, Canada E1E 4G7
 (506) 853-3057 Fax: (506) 853-6014
 North America: 1-800-561-5611
 e-mail: mail@greystoneenergy.com
 www.greystoneenergy.com

RoHS
COMPLIANT



Greystone Energy Systems Inc. is one of North America's largest ISO registered manufacturers of HVAC/R sensors and transmitters for Building Automation Management Systems.

We have conscientiously established a worldwide reputation as an industry leader by maintaining leading-edge design technology, prompt technical support, and a commitment to on-time deliveries. We take pride in our Quality Management System which is ISO 9001 certified, assuring our customers of consistent product reliability.