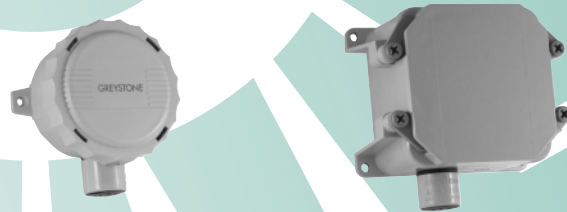




HIGH ACCURACY OUTSIDE TEMPERATURE SENSOR HATSOS Series

The HATSOS, single point outside air temperature sensor utilizes a high accuracy sensor. All probes are constructed to provide excellent heat transfer, fast response and are potted to resist moisture penetration. A sun and wind shield is integrated into the enclosure. A variety of enclosures are available.



SPECIFICATION:

Sensor Type Platinum RTD, 1000 Ω, 385 Alpha @ 0°C
 NTC Thermistor, 10,000 Ω @ 25°C, Type 2 or 3

Temperature Range.. -20 to 105 °C (-4 to 221 °F)

Accuracy **RTD Class A:** ±0.15°C @ 0°C
RTD 1/3 DIN: ±0.1°C @ 0°C
RTD 1/10 DIN: ±0.03°C @ 0°C
NTC Thermistor Type 39 : ±0.05°C, 0-70°C
NTC Thermistor Type 55 : ±0.03°C, 0-70°C
NTC Thermistor Type 40/46 : ±0.1°C, 0-70°C

Wire Material.....PVC insulated, parallel bonded

Enclosure.....Round, Grey ABS - UL94-V0 - IP65 (NEMA 4X)
 PVC - IP65 (NEMA 4X)

TerminationPigtail 2 or 3 wire

PART NUMBER SELECTED

PRODUCT SELECTION INFORMATION:

CODE	Product Description
HATSOS	High Accuracy Duct Temperature Sensor

CODE	Enclosure
E	Round ABS Enclosure, with gasketed cover
P	PVC Weatherproof

CODE	Sensor
18	1000 Ω Platinum, 2 Wire, IEC 751, 385 Alpha, thin film, Class A
48	1000 Ω Platinum, 2 Wire, IEC 751, 385 Alpha, thin film, 1/3 DIN
22	1000 Ω Platinum, 2 Wire, IEC 751, 385 Alpha, thin film, 1/10 DIN
41	1000 Ω Platinum, 3 Wire, IEC 751, 385 Alpha, thin film, Class A
49	1000 Ω Platinum, 3 Wire, IEC 751, 385 Alpha, thin film, 1/3 DIN
50	1000 Ω Platinum, 3 Wire, IEC 751, 385 Alpha, thin film, 1/10 DIN
39	10,000 Ω, Type 2, NTC Thermistor, ±0.05 C
55	10,000 Ω, Type 2, NTC Thermistor, ±0.03 C
40	10,000 Ω, Type 3, NTC Thermistor, ±0.1 C
46	20,000 Ω, NTC Thermistor, ±0.1 C

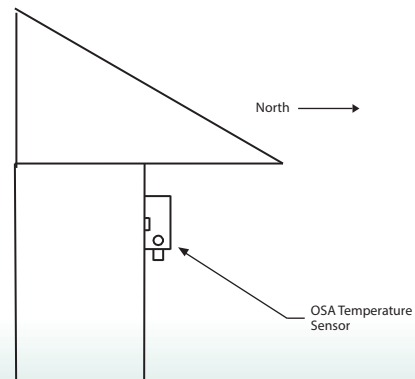
TYPICAL INSTALLATION:

For complete installation and wiring details, please refer to the product installation instructions.

The HATSOS should be mounted on an outside north facing wall, under the eaves which will provide protection from direct sunlight.

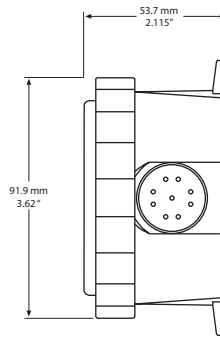
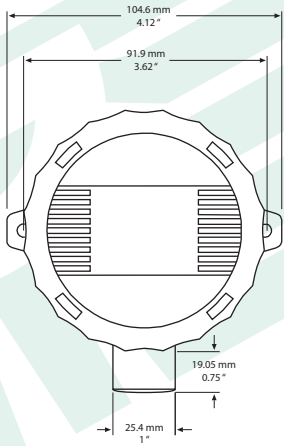
The HATSOS is mounted by extending a threaded end of the 1/2" conduit used for wiring through the building wall so that it extrudes at least 1-2" from the wall face. The sensor can be threaded directly onto the conduit until the unit is tight and pointing towards the ground. Remove access cover, feed wires through and connect.

The HATSOS can be mounted directly to buildings wall face using the provided mounting holes. A 0.85" hole for conduit connection is provided.

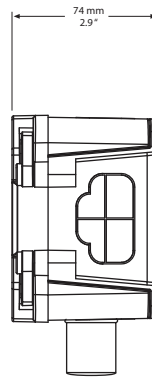
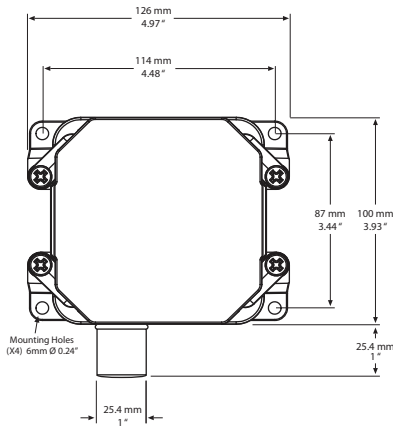


DIMENSIONS:

Round ABS Enclosure (E)



PVC Enclosure (P)



Greystone Energy Systems, Inc. reserves the right to make design modifications without prior notice.



GREYSTONE
ENERGY SYSTEMS INC

Greystone Energy Systems, Inc.
150 English Drive, Moncton,
New Brunswick, Canada E1E 4G7
(506) 853-3057 Fax: (506) 853-6014
North America: 1-800-561-5611
e-mail: mail@greystoneenergy.com
www.greystoneenergy.com

RoHS
COMPLIANT



Greystone Energy Systems Inc. is one of North America's largest ISO registered manufacturers of HVAC/R sensors and transmitters for Building Automation Management Systems.

We have conscientiously established a worldwide reputation as an industry leader by maintaining leading-edge design technology, prompt technical support, and a commitment to on-time deliveries. We take pride in our Quality Management System which is ISO 9001 certified, assuring our customers of consistent product reliability.

GREYSTONE HAS AN **ISO 9001** REGISTERED QUALITY SYSTEM