



HIGH ACCURACY RIGID DUCT AVERAGE TEMPERATURE SENSOR HATSDR Series

The HATSDR series multi-point rigid duct average temperature sensor utilizes several high accuracy sensors spaced at equal distances and encapsulated in 6.35 mm (0.25") OD, 304 series stainless steel probe and is available in various lengths. All probes provide excellent heat transfer, fast response and resistance to moisture penetration. It is available with a variety of enclosures.

SPECIFICATION:

Sensor TypePlatinum RTD , 1000 Ω, 385 Alpha @ 0°C
 NTC Thermistor, 10,000 Ω @ 25°C, Type 2 or 3
 NTC Thermistor, 20,000 Ω @ 25°C

Temperature Range.....-20 to 60 °C (-4 to 140 °F)

Accuracy**RTD Class A:** ±0.15°C @ 0°C
RTD 1/3 DIN: ±0.1°C @ 0°C
RTD 1/10 DIN: ±0.03°C @ 0°C
NTC Thermistor Type 39 : ±0.05°C, 0-70°C
NTC Thermistor Type 55 : ±0.03°C, 0-70°C
NTC Thermistor Type 40/46 : ±0.1°C, 0-70°C

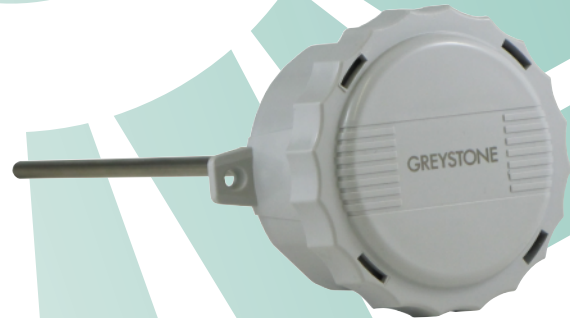
Wire MaterialFT-6 Plenum-rated

Probe Material304 Series Stainless Steel

Probe Dimensions.....0.25" (6.35 mm) Diameter

EnclosureRound (E) - Grey ABS - UL94-V0 - IP65 (NEMA 4X)
 Weatherproof PVC (P) - IP65 (NEMA 4X)

TerminationPigtail 2 or 3 wire



PART NUMBER SELECTED

PRODUCT SELECTION INFORMATION:

CODE	Product Description
HATSDR	High Accuracy Rigid Duct Average Temperature Sensor

CODE	Enclosure
E	Round ABS, with gasket cover
P	PVC Weatherproof

CODE	Sensor
18	1000 Ω Platinum, 2 Wire, IEC 751, 385 Alpha, thin film, Class A
48	1000 Ω Platinum, 2 Wire, IEC 751, 385 Alpha, thin film, 1/3 DIN
22	1000 Ω Platinum, 2 Wire, IEC 751, 385 Alpha, thin film, 1/10 DIN
41	1000 Ω Platinum, 3 Wire, IEC 751, 385 Alpha, thin film, Class A
49	1000 Ω Platinum, 3 Wire, IEC 751, 385 Alpha, thin film, 1/3 DIN
50	1000 Ω Platinum, 3 Wire, IEC 751, 385 Alpha, thin film, 1/10 DIN
39	10,000 Ω, Type 2, NTC Thermistor, ±0.05 C
55	10,000 Ω, Type 2, NTC Thermistor, ±0.03 C
40	10,000 Ω, Type 3, NTC Thermistor, ±0.1 C
46	20,000 Ω, NTC Thermistor, ±0.1 C

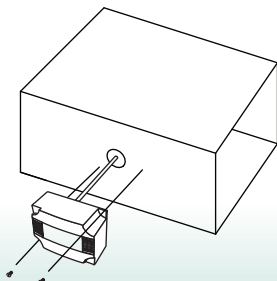
CODE	Probe Length
F	450 mm (18")
G	600 mm (24")
H	900 mm (36")

TYPICAL INSTALLATION:

For complete installation and wiring details, please refer to the product installation instructions.

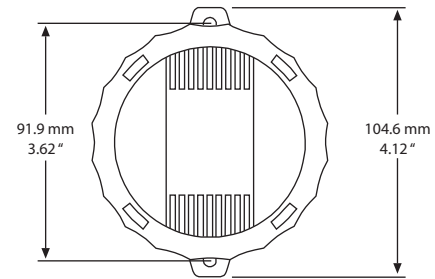
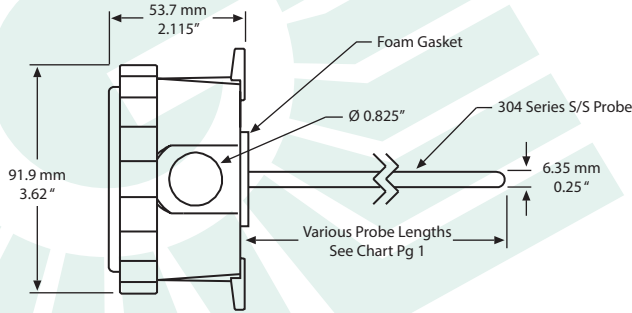
The rigid duct average type probes are installed in the side of the duct to monitor an average temperature within the duct. Select a probe length that allows the probe to span the duct width. Install the probe in a straight section of duct at a suitable distance downstream from any heating, cooling or humidification devices.

Each enclosure style provides mounting tabs on the outside of the enclosure for ease of installation.

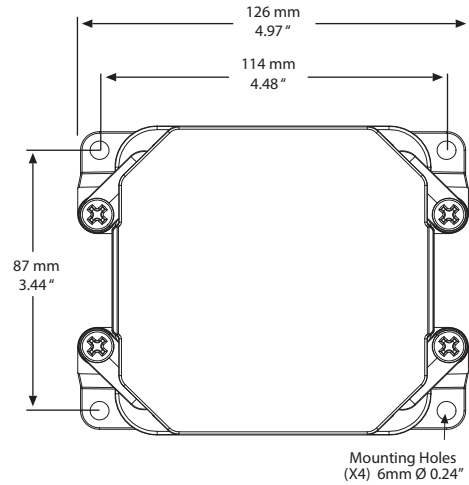
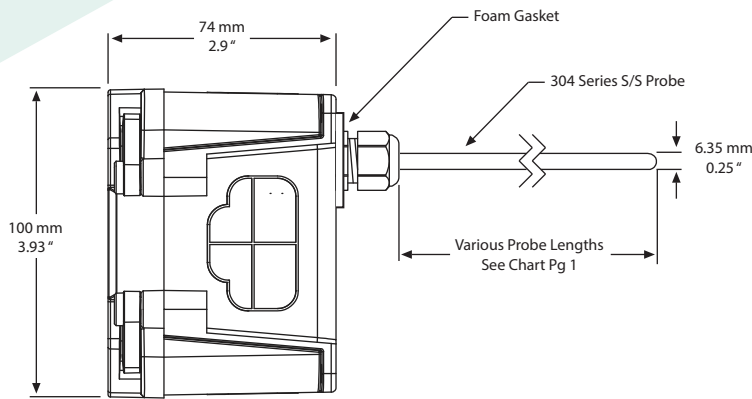


DIMENSIONS:

Round ABS Enclosure (E)



PVC Enclosure (P)



GREYSTONE

ENERGY SYSTEMS INC

Greystone Energy Systems, Inc.
150 English Drive, Moncton,
New Brunswick, Canada E1E 4G7
(506) 853-3057 Fax: (506) 853-6014
North America: 1-800-561-5611
e-mail: mail@greystoneenergy.com
www.greystoneenergy.com

RoHS
COMPLIANT



Greystone Energy Systems Inc. is one of North America's largest ISO registered manufacturers of HVAC/R sensors and transmitters for Building Automation Management Systems.

We have conscientiously established a worldwide reputation as an industry leader by maintaining leading-edge design technology, prompt technical support, and a commitment to on-time deliveries. We take pride in our Quality Management System which is ISO 9001 certified, assuring our customers of consistent product reliability.

GREYSTONE HAS AN **ISO 9001** REGISTERED QUALITY SYSTEM