



HIGH ACCURACY DUCT TEMPERATURE SENSOR HATSBB Series

The HATSBB single point duct temperature sensor utilizes a high accuracy sensor encapsulated in a 6.35 mm (0.25") OD, 304 series stainless steel probe and is available in various lengths (see ordering chart) All probes provide excellent heat transfer, fast response and resistance to moisture penetration. The HATSBB comes with an integrated mounting bracket and 3.05 m (10') of plenum rated cable for connection to the Building Automation System.

SPECIFICATION:

Sensor TypePlatinum RTD 1000 Ω, 385 Alpha @ 0°C
 NTC Thermistor, 10,000 Ω @ 25°C, Type 2 or 3
 NTC Thermistor, 20,000 Ω @ 25°C

Temperature Range..... -20 to 60 °C (-4 to 140 °F)
 Higher Ranges Available Contact Greystone

Accuracy
RTD Class A: ±0.15°C @ 0°C
RTD 1/3 DIN: ±0.1°C @ 0°C
RTD 1/10 DIN: ±0.03°C @ 0°C
NTC Thermistor Type 39 : ±0.05°C, 0-70°C
NTC Thermistor Type 55: ±0.03°C, 0-70°C
NTC Thermistor Type 40/46 : ±0.1°C, 0-70°C

Wire Material Plenum rated FT-6

Wire Length 3.05 m (10')

Probe Material 304 Series stainless steel

Probe Dimensions..... 6.35 mm (0.250") Diameter

Bracket Material Grey ABS - UL94-V0

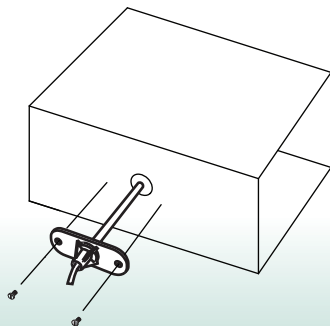
Termination Pigtail 2 or 3 wire

TYPICAL INSTALLATION:

For complete installation and wiring details, please refer to the product installation instructions.

The duct type probes are installed through a hole in the side of the duct to monitor a single point temperature within the duct. Since the probes are tip sensitive, select a probe length that places the sensor well into the duct. Install the probe into a straight section of duct at a suitable distance downstream from any heating, cooling or humidification devices.

Two holes are provided on the bracket to secure the sensor to the duct.



PART NUMBER SELECTED

PRODUCT SELECTION INFORMATION:

CODE	Product Description
HATSBB	High Accuracy Duct Temperature Sensor

CODE	Sensor
18	1000 Ω Platinum, 2 Wire, IEC 751, 385 Alpha, thin film, Class A
48	1000 Ω Platinum, 2 Wire, IEC 751, 385 Alpha, thin film, 1/3 DIN
22	1000 Ω Platinum, 2 Wire, IEC 751, 385 Alpha, thin film, 1/10 DIN
41	1000 Ω Platinum, 3 Wire, IEC 751, 385 Alpha, thin film, Class A
49	1000 Ω Platinum, 3 Wire, IEC 751, 385 Alpha, thin film, 1/3 DIN
50	1000 Ω Platinum, 3 Wire, IEC 751, 385 Alpha, thin film, 1/10 DIN
39	10,000 Ω, Type 2, NTC Thermistor, ±0.05 C
55	10,000 Ω, Type 2, NTC Thermistor, ±0.03 C
40	10,000 Ω, Type 3, NTC Thermistor, ±0.1 C
46	20,000 Ω, NTC Thermistor, ±0.1 C

CODE	Probe Length
A	50 mm (2")
B	100 mm (4")
C	150 mm (6")
D	200 mm (8")
E	300 mm (12")
F	450 mm (18")



Dimensions:

