



## HIGH ACCURACY GLASS TEMPERATURE TRANSMITTER WITH LCD HATLGL Series

The HATLGL single point glass temperature sensor utilizes a high accuracy sensor encapsulated in a 31.75mm L x 9.525mm W x 9.525 mm H (1.25" x .375" x .375") Aluminum probe. Standard wire length is 600 mm (24"). All probes are constructed to provide excellent heat transfer, fast response and are potted to resist moisture penetration. It is available with a variety of enclosures. A transmitter that provides a high accuracy signal with excellent long term stability, low hysteresis and fast response is available with various ranges. A LCD is provided in either °C or °F.



### SPECIFICATION:

Sensor..... 1000 ohm Platinum RTD  
 Accuracy ..... **RTD Class A:** ±0.15°C @ 0°C  
                           **RTD 1/3 DIN:** ±0.1°C @ 0°C  
                           **RTD 1/10 DIN:** ±0.03°C @ 0°C  
 Probe Sensing Range.... -20 to 105°C (-4 to 221°F)  
 Wire Material ..... PVC insulated, parallel bonded, 22 AWG  
 Wire Length ..... 1.524 m (5')  
 Probe Material ..... Aluminum  
 Probe Dimension..... 9.525 x 9.525 x 31.75 mm (75" x .75" x 1.25")  
 Output Signal..... 4-20mA current loop, 0-5 vdc, or 0-10 Vdc (factory configured)  
 Transmitter Accuracy ... ±0.25% of span, including linearity  
 Power Supply ..... **4-20 mA:** 15-35 Vdc or 22-32 Vac  
                           **0-5 Vdc:** 10-35 Vdc or 10-32 Vac  
                           **0-10 Vdc:** 15-35 Vdc or 15-32 Vac  
 Consumption ..... **Current:** 22.5 mA Max (On open sensor)  
                           **Voltage:** 5 mA nominal  
 Input Voltage Effect..... Negligible over specified operating range  
 RFI rejection..... Good RFI rejection of normal frequencies  
 Protection Circuitry..... Reverse voltage protected and output limited  
 Display Units ..... °C or °F  
 Display Range ..... 3 digit for -88.8 to 888 as necessary  
 Display Size..... 24 mm x 11 mm (0.95" x 0.45")  
 Ambient Operating Range..... 0 - 70°C (32 - 158°F), 0-95% RH non-condensing  
 Enclosure..... Grey ABS, UL94-V0, IP65 (NEMA 4X)  
 Wiring Connections..... Screw terminal block (14 to 22 AWG)

### PART NUMBER SELECTED

### PRODUCT SELECTION INFORMATION:

MODEL	Product Description
HATLGL	High Accuracy Glass Temperature Transmitter with LCD Display

CODE	LCD Display
C	LCD display °C
F	LCD display °F

CODE	Sensor
18	1000 Ω Platinum, IEC 751, 385 Alpha, thin film, Class A
22	1000 Ω Platinum, IEC 751, 385 Alpha, thin film, 1/10 DIN
48	1000 Ω Platinum, IEC 751, 385 Alpha, thin film, 1/3 DIN

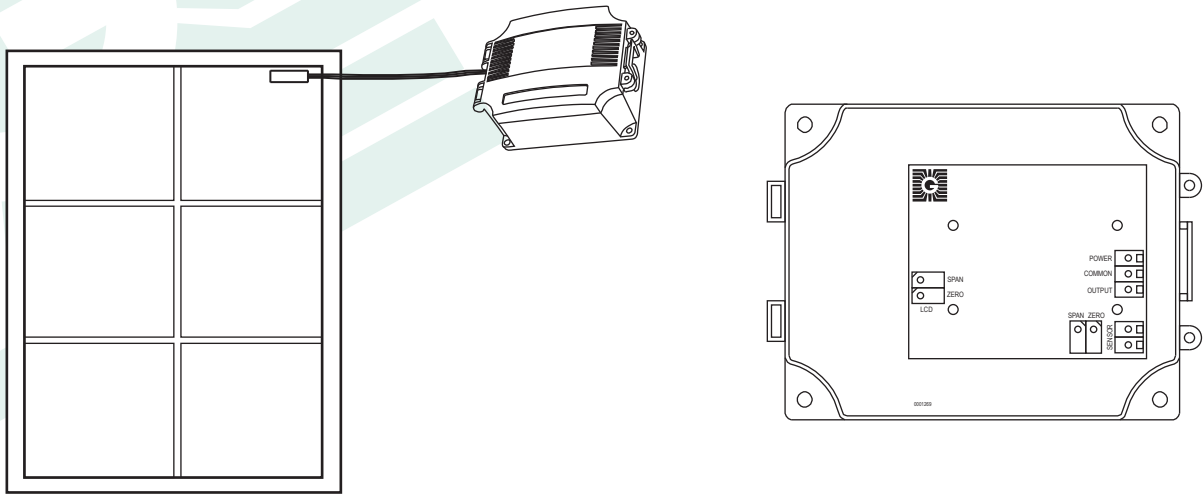
CODE	Output
A	4-20mA
D	0-5 Vdc
E	0-10 Vdc

CODE	Scaled Range
1	0 - 35°C (32°F - 95°F)
2	0 - 50°C (32°F - 122°F)
3	0 - 100°C (32°F - 212°F)

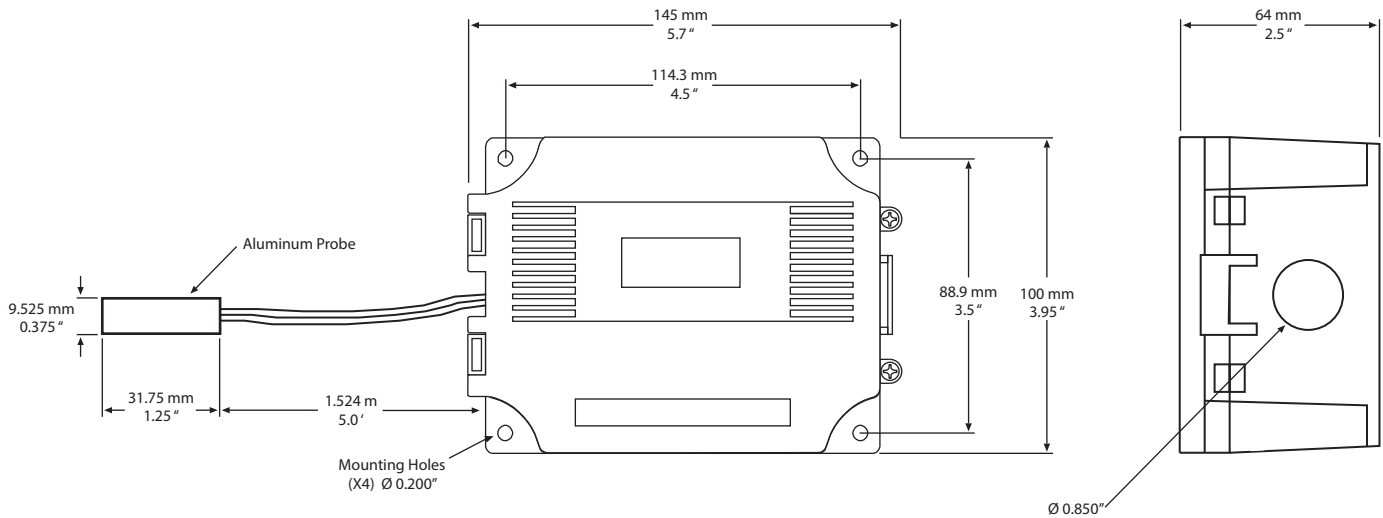
## TYPICAL INSTALLATION:

For complete installation and wiring details, please refer to the product installation instructions.

Find a suitable location on an exterior window where both the probe can be mounted. On one side apply epoxy compound and press firmly against the glass. Hold in place until the epoxy has set.



## DIMENSIONS:



Greystone Energy Systems, Inc. reserves the right to make design modifications without prior notice.



**GREYSTONE**  
ENERGY SYSTEMS INC

Greystone Energy Systems, Inc.  
150 English Drive, Moncton,  
New Brunswick, Canada E1E 4G7  
(506) 853-3057 Fax: (506) 853-6014  
North America: 1-800-561-5611  
e-mail: mail@greystoneenergy.com  
www.greystoneenergy.com

**RoHS**  
COMPLIANT



*Greystone Energy Systems Inc. is one of North America's largest ISO registered manufacturers of HVAC/R sensors and transmitters for Building Automation Management Systems. We have conscientiously established a worldwide reputation as an industry leader by maintaining leading-edge design technology, prompt technical support, and a commitment to on-time deliveries. We take pride in our Quality Management System which is ISO 9001 certified, assuring our customers of consistent product reliability.*

GREYSTONE HAS AN **ISO 9001** REGISTERED QUALITY SYSTEM