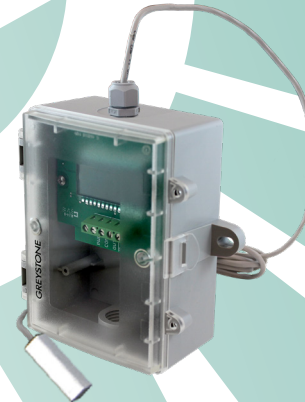




# GREYSTONE ENERGY SYSTEMS INC

## HIGH ACUURACY GLASS TEMPERATURE TRANSMITTER with LCD HATDGL Series

The high accuracy single point glass temperature sensor utilizes a precision sensor encapsulated in a 31.75mm L x 9.525mm W x 9.525 mm H (1.25" x .375" x .375") Aluminum probe. Standard wire length is 600 mm (24"). The probe is constructed to provide excellent heat transfer, fast response and is potted to resist moisture penetration. The transmitter provides a high accuracy signal with excellent long term stability, low hysteresis and fast response and is available with various ranges. (see ordering chart). A weatherproof Polycarbonate enclosure is included for ease of installation. An LCD is provided in either °C or °F.



### SPECIFICATIONS:

Sensor Type:..... 1000 ohm platinum RTD  
 Sensor Accuracy:..... **RTD Class A:** ±0.15°C @ 0°C  
                                   **RTD 1/3 DIN:** ±0.1°C @ 0°C  
                                   **RTD 1/10 DIN:** ±0.03°C @ 0°C  
 Wire Material:..... PVC insulated, parallel bonded, 22 AWG  
 Probe Sensing Range:..... -20 to 105°C (-4 to 221°F)  
 Probe Material:..... Aluminum wafer  
 Probe Dimensions:..... 31.75 mm L x 9.525 mm H x 9.525 mm W  
                                   (1.25" x 0.375" x 0.375")  
 Wire Length:..... 1.5 m (5')  
 Output Signal:..... 4-20 mA current loop, 0-5 vdc, or 0-10 vdc  
                                   (factory configured)  
 Transmitter Accuracy:..... ±0.2% of span, including linearity  
 Power Supply:..... 15 to 30 Vdc, 12 to 28 Vac  
 Consumption (max):..... 20 mA for current, 11 mA for voltage  
 Protection Circuitry:..... Reverse voltage protected and output limited  
 Output Drive @ 24 Vdc:..... 700 ohms max for current output,  
                                   20K ohms min for voltage output  
 LCD Display Units:..... °C or °F (factory configured)  
 Display Range:..... 3 digit for -88.8 to 888 as required  
 Display Size:..... 38.1mm W x 16.5 mm H (1.5" to 0.65")  
 Digit Height:..... 11.4 mm (0.45") plus °C/°F symbol  
 Ambient Operating Range:..... 0 to 50°C (32 to 122°F) 0-95 %RH  
 Enclosure:..... Grey polycarbonate UL94-V0, IP65 (NEMA 4X)  
                                   F style includes thread adapter (1/2" NPT to M16)  
                                   and cable gland fitting  
 Wiring Connections:..... Screw terminal block (14 to 22 AWG)  
 Country of Origin:..... Canada

### PART NUMBER SELECTED

### PRODUCT SELECTION INFORMATION:

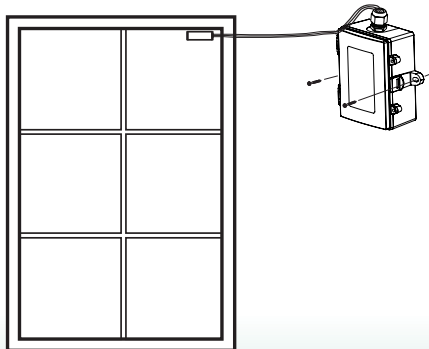
MODEL	Product Description
HATDGL	High Accuracy Glass Temperature Transmitter
CODE	Enclosure
B	Polycarbonate, with hinged & gasketed cover
F	Same as B, with thread adapter & cable gland fitting
CODE	Display Units
C	Celsius
F	Fahrenheit
CODE	Sensor
18	1000 Ω, Platinum, wire 2, IEC 751, 385 Alpha, thin film, Class A
48	1000 Ω, Platinum, 2 wire, IEC 751, 385 Alpha, thin film, 1/3 DIN
22	1000 Ω, Platinum, 2 wire, IEC 751, 385 Alpha, thin film, 1/10 DIN
CODE	Output
A	4-20 mA 2 or 3 wire
D	0-5 Vdc 3 wire
E	0-10 Vdc 3 wire
CODE	Scaled Range
001	0 to 35°C (32 to 95°F)
002	0 to 50°C (32 to 122°F)

### TYPICAL INSTALLATION:

**For complete installation and wiring details, please refer to the product installation instructions.**

Find a suitable location on an exterior window where both the probe and enclosure can be mounted. On one side apply epoxy compound and press firmly against the glass. Hold in place until the epoxy has set.

Enclosure provides mounting tabs for ease of installation.

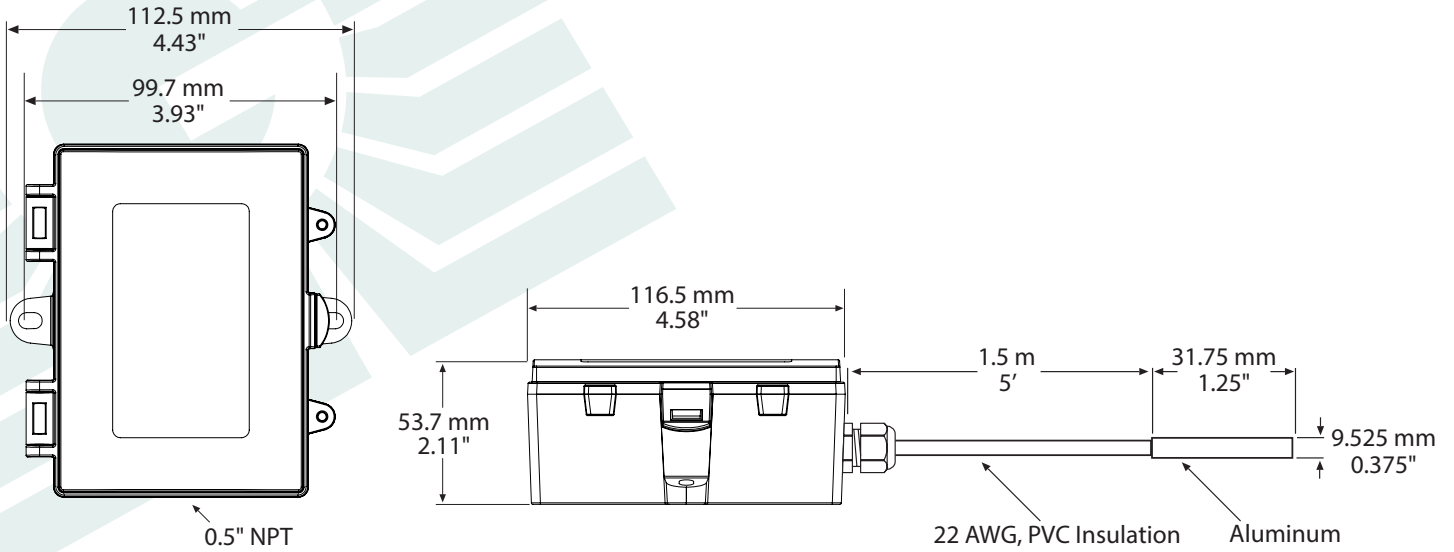


Greystone Energy Systems, Inc. reserves the right to make design modifications without prior notice.

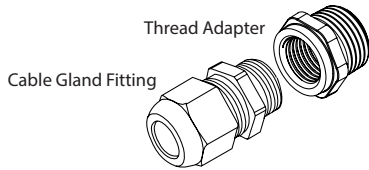
### Wiring:

<b>Terminal</b>	<b>Function</b>
PWR	Power Supply
COM	Power Supply Common
TEMP (2)	Temperature Sensor Input
NO	Relay Output - Normally Open Contact
COM	Relay Common
NC	Relay Output - Normally Closed Contact

## DIMENSIONS:



Included with F style enclosure



# GREYSTONE

**ENERGY SYSTEMS INC**

Greystone Energy Systems, Inc.  
150 English Drive, Moncton,  
New Brunswick, Canada E1E 4G7

(506) 853-3057 Fax: (506) 853-6014  
North America: 1-800-561-5611  
e-mail: mail@greystoneenergy.com  
www.greystoneenergy.com

**RoHS**  
COMPLIANT



*Greystone Energy Systems Inc. is one of North America's largest ISO registered manufacturers of HVAC/R sensors and transmitters for Building Automation Management Systems.*

*We have conscientiously established a worldwide reputation as an industry leader by maintaining leading-edge design technology, prompt technical support, and a commitment to on-time deliveries. We take pride in our Quality Management System which is ISO 9001 certified, assuring our customers of consistent product reliability.*

GREYSTONE HAS AN **ISO 9001** REGISTERED QUALITY SYSTEM