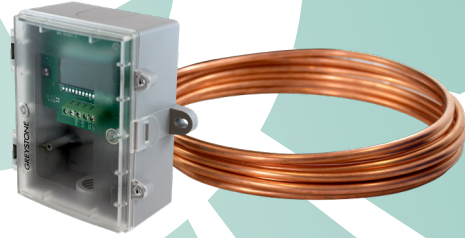




The high accuracy duct averaging temperature transmitter incorporates numerous precision platinum RTD's encapsulated in a 7.94 mm (0.3125") OD, soft copper probe and is available in various lengths (see ordering chart). All probes provide excellent heat transfer, fast response and resist moisture penetration. A transmitter that provides a high accuracy signal with excellent long term stability, low hysteresis and fast response for measurement of duct temperatures. A weatherproof Polycarbonate enclosure is included for ease of installation. An LCD is provided in either °C or °F.



SPECIFICATIONS:

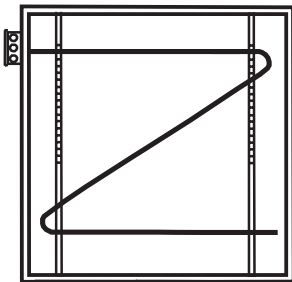
- Sensor Type: 1000 ohm platinum RTD
- Sensor Accuracy: **RTD Class A:** ±0.15°C @ 0°C
..... **RTD 1/3 DIN:** ±0.1°C @ 0°C
..... **RTD 1/10 DIN:** ±0.03°C @ 0°C
- Wire Material:.....PVC insulated, parallel bonded, 22 AWG
- Probe Sensing Range:.....-20 to 60°C (-4 to 140°F)
- Probe Material:Soft copper
- Probe Diameter:.....7.94 mm (0.312")
- Wire Material:.....FT-6 plenum rated cable
- Standard lengths:.....1800, 3600, 6100, 7300 mm (6', 12', 20', 24')
- Output Signal:.....4-20 mA current loop, 0-5 vdc, or 0-10 vdc (factory configured)
- Transmitter Accuracy:±0.2% of span, including linearity
- Power Supply:.....15 to 30 Vdc, 12 to 28 Vac
- Consumption (max):.....20 mA for current, 11 mA for voltage
- Protection Circuitry:Reverse voltage protected and output limited
- Output Drive @ 24 Vdc:.....700 ohms max for current output, 20K ohms min for voltage output
- LCD Display Units:.....°C or °F (factory configured)
- Display Range:.....3 digit for -88.8 to 888 as required
- Display Size:.....38.1mm W x 16.5 mm H (1.5" to 0.65")
- Digit Height:.....11.4 mm (0.45") plus °C/°F symbol
- Ambient Operating Range:..0 to 50°C (32 to 122°F), 0-95 %RH
- Enclosure:.....Grey polycarbonate UL94-V0, IP65 (NEMA 4X)
.....F style includes thread adapter (1/2" NPT to M16) and cable gland fitting
- Wiring Connections:.....Screw terminal block (14 to 22 AWG)
- Country of Origin:.....Canada

TYPICAL INSTALLATION:

For complete installation and wiring details, please refer to the product installation instructions.

The duct average probes are installed through a hole in the side of the duct to monitor an average temperature within the duct. Select a probe length that allows for criss-crossing the duct multiple times. Install the probes in a straight section of duct at a suitable distance downstream from any heating, cooling or humidification elements.

The enclosure provides mounting tabs for ease of installation.



PART NUMBER SELECTED

PRODUCT SELECTION INFORMATION:

MODEL	Product Description
HATDDC	High Accuracy Flexible Copper Duct Average Temperature Transmitter with Display

CODE	Enclosure
B	Polycarbonate, with hinged & gasketed cover
F	Same as B, with thread adapter & cable gland fitting

CODE	Display Units
C	Celsius
F	Fahrenheit

CODE	Sensor
18	1000 Ω, Platinum, wire 2, IEC 751, 385 Alpha, thin film, Class A
48	1000 Ω, Platinum, 2 wire, IEC 751, 385 Alpha, thin film, 1/3 DIN
22	1000 Ω, Platinum, 2 wire, IEC 751, 385 Alpha, thin film, 1/10 DIN

CODE	Probe Length
I	1800 mm (6')
J	3600 mm (12')
K	6100 mm (20')
L	7300 mm (24')

CODE	Output
A	4-20mA 2 or 3 wire
D	0-5 Vdc 3 wire
E	0-10 Vdc 3 wire

CODE	Scaled Range
001	0 to 35°C (32 to 95°F)
002	0 to 50°C (32 to 122°F)

Greystone Energy Systems, Inc. reserves the right to make design modifications without prior notice.

Wiring:

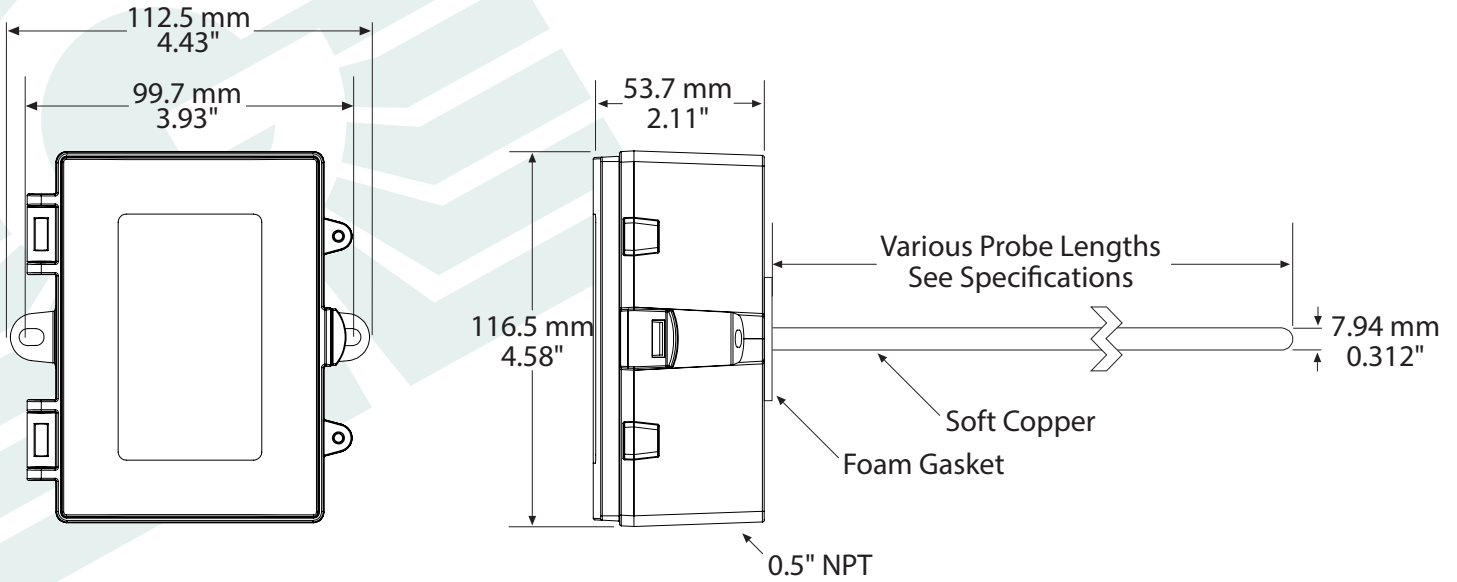
Terminal
PWR
COM
TEMP (2)

Function
Power Supply
Power Supply Common
Temperature Sensor Input

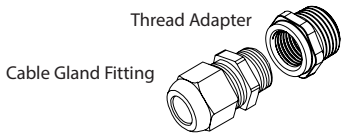
NO
COM
NC

Relay Output - Normally Open Contact
Relay Common
Relay Output - Normally Closed Contact

DIMENSIONS:



Included with F style enclosure



Cable Gland Fitting

Thread Adapter



GREYSTONE

ENERGY SYSTEMS INC

Greystone Energy Systems, Inc.
 150 English Drive, Moncton,
 New Brunswick, Canada E1E 4G7
 (506) 853-3057 Fax: (506) 853-6014
 North America: 1-800-561-5611
 e-mail: mail@greystoneenergy.com
 www.greystoneenergy.com

RoHS
 COMPLIANT



Greystone Energy Systems Inc. is one of North America's largest ISO registered manufacturers of HVAC/R sensors and transmitters for Building Automation Management Systems.

We have conscientiously established a worldwide reputation as an industry leader by maintaining leading-edge design technology, prompt technical support, and a commitment to on-time deliveries. We take pride in our Quality Management System which is ISO 9001 certified, assuring our customers of consistent product reliability.

GREYSTONE HAS AN **ISO 9001** REGISTERED QUALITY SYSTEM