



GREYSTONE ENERGY SYSTEMS INC

HIGH ACCURACY OUTSIDE HUMIDITY TRANSMITTER HAHSOS Series

The high accuracy outside humidity transmitter uses a highly accurate and reliable Thermoset Polymer based capacitance humidity sensor and state-of-the-art digital linearization and temperature compensated circuitry to monitor humidity levels. It is available in a weatherproof enclosure that provides ease of installation and protection from the elements.

SPECIFICATION:

- Sensor Type.....Thermoset Polymer based Capacitive
 - Sensor Accuracy.....±1% (20 to 80 %RH) or ±2% (5 to 95 %RH)
 - Measurement Range.....0 to 100% RH
 - Sensor Response Time.....15 seconds typical
 - Temp Dependence.....±0.05% RH/°C
 - Hysteresis.....±1.5% RH maximum
 - Repeatability.....±0.5% RH typical
 - Linearity.....±0.5% RH typical
 - Stability.....±1% RH typical at 50% RH in 5 yrs.
 - Operating Range.....-40 to 85°C (-40 to 185°F)
 - Operating Humidity.....0 to 95% RH non-condensing
 - Power Supply.....18 to 30 Vdc, 15 to 26 Vac
 - Consumption.....22 mA maximum
 - Input Voltage Effect.....Negligible over specified operating range
 - Protection Circuitry.....Reverse voltage protected and output limited
 - Output Signal.....4-20 mA current loop, 0-5 Vdc, 0-10 Vdc, or 0-1 Vdc (jumper-selectable)
 - Output Drive @ 24 Vdc.....550 ohms max for current output
10k ohms min for current output
 - Internal Adjustments.....Clearly marked ZERO and SPAN pots
 - Optional Temp Sensor.....Various RTDs and thermistors available as two-wire resistance output
 - Enclosure.....ABS - UL94-V0 - IP65 (NEMA4X)
 - Termination.....Screw terminal block (14, 20, 22 AWG)
 - Country of Origin.....Canada
- OPTIONAL TEMPERATURE**
- Sensor Type.....Platinum RTD 1000 Ω, 385 Alpha @ 0°C
NTC Thermistor, 10,000 Ω Type 2/3
or 20,000 Ω @ 25°C
 - Accuracy.....**RTD Class A:** ±0.15°C @ 0°C
RTD 1/3 DIN: ±0.1°C @ 0°C
RTD 1/10 DIN: ±0.03°C @ 0°C
Thermistor (39): ±0.05°C, 0 to 70°C
Thermistor (40/46): ±0.1°C, 0 to 70°C
Thermistor (55): ±0.03°C, 0 to 70°C



PART NUMBER SELECTED

PRODUCT SELECTION INFORMATION:

MODEL	Product Description
HAHSOS	High Accuracy Outside Air Humidity Transmitter

CODE	Enclosure
A	ABS, with hinged & gasketed cover

CODE	RH Accuracy
1	1%
2	2%

CODE	Sensor
18	1000 Ω Platinum, IEC 751, 385 Alpha, thin film, Class A
48	1000 Ω Platinum, IEC 751, 385 Alpha, thin film, 1/3 DIN
22	1000 Ω Platinum, IEC 751, 385 Alpha, thin film, 1/10 DIN
39	10,000 Ω Type 2, NTC Thermistor, ±0.05°C
55	10,000 Ω Type 2, NTC Thermistor, ±0.03°C
40	10,000 Ω Type 3, NTC Thermistor, ±0.1°C
46	20,000 Ω NTC Thermistor, ±0.1°C

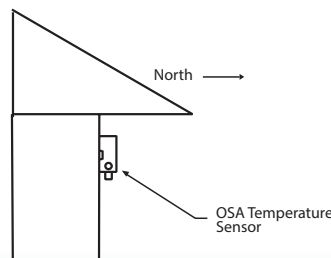
Greystone Energy Systems, Inc. reserves the right to make design modifications without prior notice.

TYPICAL INSTALLATION:

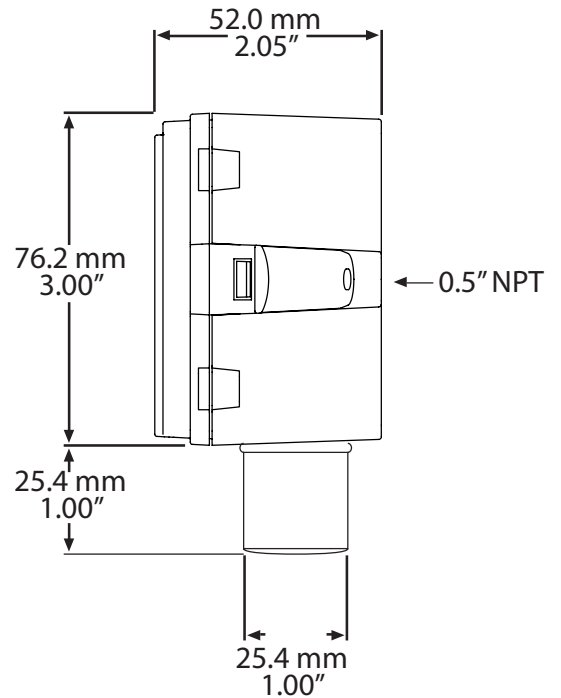
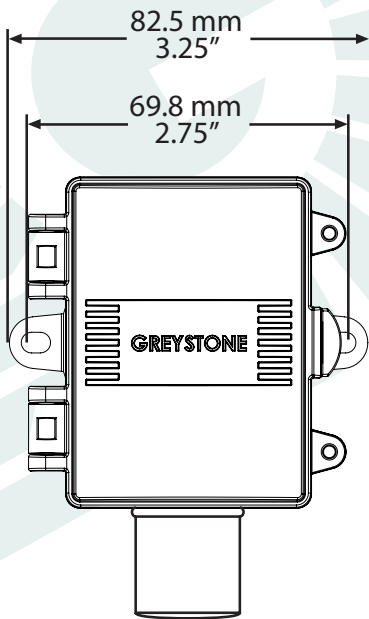
For complete installation and wiring details, please refer to the product installation instructions.

The outside transmitter should be mounted on an outside North facing wall, under the eaves which will provide protection from direct sunlight and wind.

The outside transmitter can be mounted directly to buildings wall face using the provided mounting holes. There is a 0.86" hole for conduit connection of the back of the enclosure



DIMENSIONS:



GREYSTONE
ENERGY SYSTEMS INC

Greystone Energy Systems, Inc.
150 English Drive, Moncton,
New Brunswick, Canada E1E 4G7
(506) 853-3057 Fax: (506) 853-6014
North America: 1-800-561-5611
e-mail: mail@greystoneenergy.com
www.greystoneenergy.com

RoHS
COMPLIANT



Greystone Energy Systems Inc. is one of North America's largest ISO registered manufacturers of HVAC/R sensors and transmitters for Building Automation Management Systems.

We have conscientiously established a worldwide reputation as an industry leader by maintaining leading-edge design technology, prompt technical support, and a commitment to on-time deliveries. We take pride in our Quality Management System which is ISO 9001 certified, assuring our customers of consistent product reliability.

GREYSTONE HAS AN **ISO 9001** REGISTERED QUALITY SYSTEM