



GREYSTONE

ENERGY SYSTEMS INC

HIGH ACCURACY GAGE PRESSURE TRANSMITTER HAGP Series

The high accuracy gage pressure transmitter is designed with single remote sensor that enables it to accept high pressure in several ranges up to 500 PSI, 35 Bar or 3500 kPa. All models are rated for overload pressure 2X the maximum full scale range and burst pressure of 20X the maximum full scale range.

Features include field selectable pressure ranges and output signal types, output reversal and slow-damping for the most flexible applications. The output signal is factory calibrated and temperature compensated for the highest start-up accuracy. A weatherproof polycarbonate enclosure is provided for ease of installation.



SPECIFICATIONS

- Power Supply.....24 Vac/dc \pm 10% (non-isolated half-wave rectified)
- Consumption.....75 mA max @ 24 Vdc
- Output Signal.....4-20 mA sourcing, 0-5/0-10 Vdc (jumper selectable)
- Output Drive**Current:** 500 ohms max
Voltage: 10K ohms min
- Protection Circuitry.....Reverse voltage protected, transient protected
- LCD.....35 x 15 mm (1.4 x 0.6"), 2-line x 8-character
- Accuracy..... \pm 0.5% full scale of selected range (range 4 is \pm 1%)
- Stability..... \pm 0.25% FS typical (1 year)
- Pressure Ranges.....4 per model (menu selectable)
- Media Compatibility.....17-4 PH stainless steel
- Proof Pressure.....2X highest range per model
- Burst Pressure20X highest range per model
- Maximum Line Pressure...= highest model range
- Pressure Cycles.....> 100 million
- Surge Damping1-60 seconds averaging (menu selectable)
- Zero Adjust.....Push-button and remote input
- Sensor Operating Range...-40 to 105°C (-40 to 221°F)
- Operating Environment ...0 to 50°C (32 to 122°F), 10 to 90 %RH non-condensing
- Pressure Connection1/4" NPT male
- Sensor Housing.....IP67
- Remote Sensor Cable**S:** FT-6 plenum rated
A: Armored Flexible S/S
- Wiring Connection14-22 AWG screw terminal block
- Enclosure.....Polycarbonate, UL94-V0, IP65 (NEMA 4X)
- Dimensions.....112.5 W x 116.5 H x 53.7 D mm
(4.43" x 4.59" x 2.11")
- Weight.....450g (15.9 oz) - Including remote cable and sensor
- Country of OriginCanada

PART NUMBER SELECTED

PRODUCT SELECTION INFORMATION:

MODEL	Product Description
HAGP	High Accuracy Gage Pressure Transmitter

CODE	Enclosure
B	Polycarbonate with hinged and gasketed cover
F	Same as B, with thread adapter and cable gland fitting

CODE	Pressure Ranges
01	5, 10, 25, and 50 PSI ranges
02	10, 20, 50, and 100 PSI ranges
03	25, 50, 125, and 250 PSI ranges
04	50, 100, 250, and 500 PSI ranges
05	0.5, 1.0, 2.5, and 5.0 Bar
06	0.7, 1.4, 3.5, and 7.0 Bar
07	1, 2, 5, and 10 Bar
08	3.5, 7, 17.5, and 35 Bar
09	50, 100, 250, and 500 kPa
10	70, 140, 350, and 700 kPa
11	100, 200, 500, and 1000 kPa
12	350, 700, 1750, and 3500 kPa

CODE	Cable Type
S	FT-6 Plenum Rated
A	Armored Cable

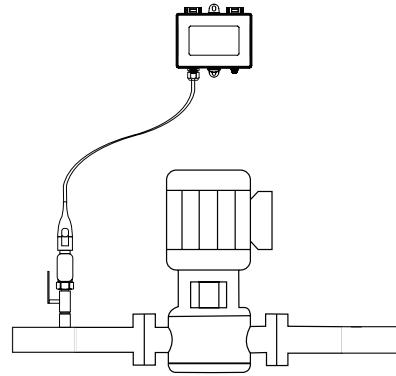
CODE	Cable Length
15	1.5 m (5')
30	3.0 m (10')

Greystone Energy Systems, Inc. reserves the right to make design modifications without prior notice.

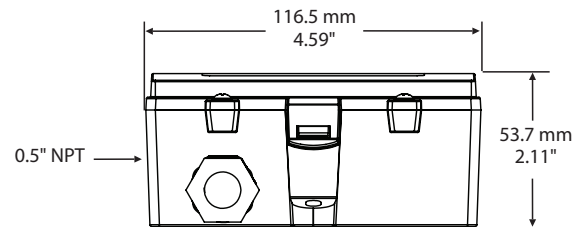
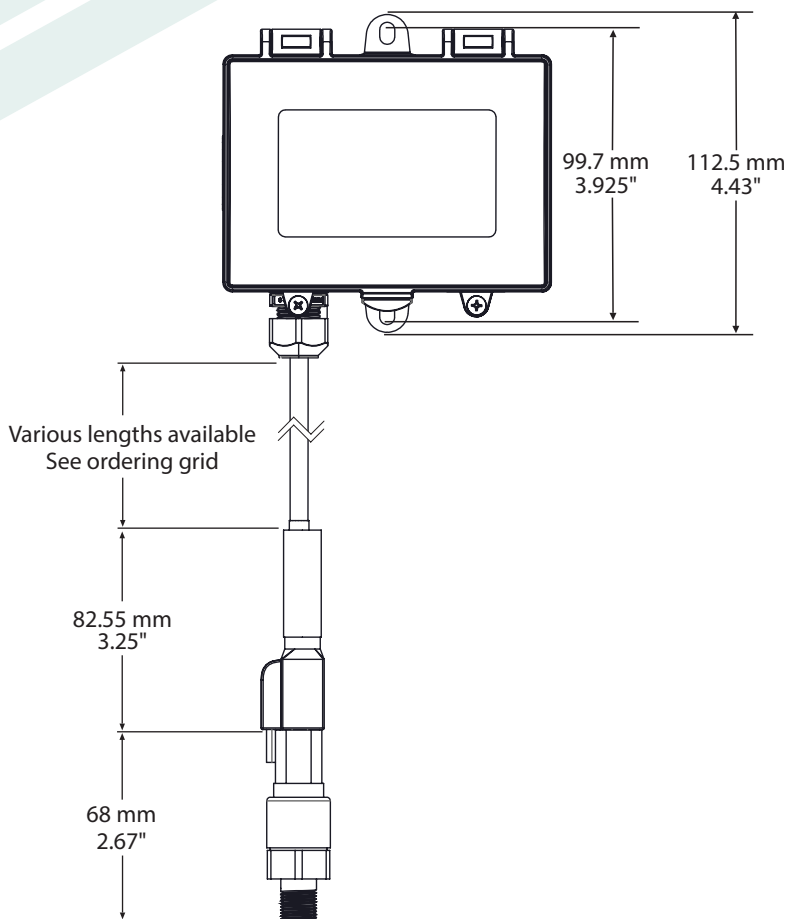
TYPICAL INSTALLATION:

For complete installation and wiring details, please refer to the product installation instructions.

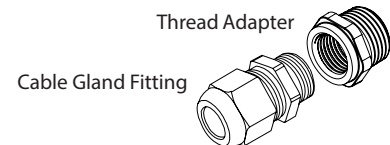
The transmitter mounts on a vertical surface using the two integrated mounting holes. The remote sensor cable connection should be located on the bottom of the enclosure. The two mounting holes will facilitate a #10 size screw (not supplied). Ensure there is enough space around the unit to make the electrical connections and that it is within an acceptable distance for the length of remote sensor cable. Avoid locations with severe vibrations or excessive moisture.



DIMENSIONS:



Included with F style enclosure



GREYSTONE

ENERGY SYSTEMS INC

Greystone Energy Systems, Inc.

150 English Drive, Moncton,
New Brunswick, Canada E1E 4G7

(506) 853-3057 Fax: (506) 853-6014

North America: 1-800-561-5611

e-mail: mail@greystoneenergy.com

www.greystoneenergy.com

RoHS
COMPLIANT



Greystone Energy Systems Inc. is one of North America's largest ISO registered manufacturers of HVAC/R sensors and transmitters for Building Automation Management Systems.

We have conscientiously established a worldwide reputation as an industry leader by maintaining leading-edge design technology, prompt technical support, and a commitment to on-time deliveries. We take pride in our Quality Management System which is ISO 9001 certified, assuring our customers of consistent product reliability.

GREYSTONE HAS AN ISO 9001 REGISTERED QUALITY SYSTEM