

## HIGH ACCURACY OUTSIDE TEMPERATURE TRANSMITTER HATXOS Series

The high accuracy single point outside temperature transmitter utilizes a precision platinum RTD sensor. All probes are constructed to provide excellent heat transfer, fast response and are potted to resist moisture penetration. A sun and wind shield is integrated into the enclosure. It is provided in a weatherproof ABS enclosure. A transmitter that provides a high accuracy signal with excellent long term stability, low hysteresis and fast response is available with various ranges.



### SPECIFICATION:

Sensor Type ..... 1000 ohm Platinum RTD  
 Sensor Accuracy..... **RTD Class A:**  $\pm 0.15^{\circ}\text{C}$  @  $0^{\circ}\text{C}$   
                                   **RTD 1/3 DIN:**  $\pm 0.1^{\circ}\text{C}$  @  $0^{\circ}\text{C}$   
                                   **RTD 1/10 DIN:**  $\pm 0.03^{\circ}\text{C}$  @  $0^{\circ}\text{C}$   
 Probe Sensing Range ..... -40 to  $50^{\circ}\text{C}$  (-4 to  $122^{\circ}\text{F}$ )  
 Wire Material ..... PVC insulated, parallel bonded, 22 AWG  
 Temperature Range ..... -40 to  $50^{\circ}\text{C}$  (-40 to  $122^{\circ}\text{F}$ )  
 Output Signal..... 4-20 mA current loop, 0-5 Vdc, or 0-10 Vdc (factory configured)  
 Transmitter Accuracy .....  $\pm 0.1\%$  of span, including linearity  
 4-20 mA loop power supply.. 15-35 Vdc or 22-32 Vac  
 Minimum Loop Current ..... 2 mA nominal (occurs with shorted sensor)  
 Maximum Loop Current..... 22.5 mA nominal (occurs with open sensor)  
 Maximum Loop Load..... >600 ohms  
 0-5 Vdc Power Supply ..... 10-35 Vdc or 10-32 Vac  
 0-10 Vdc Power Supply..... 15-35 Vdc or 15-32 Vac  
 Maximum Current (Voltage).. 5 mA nominal  
 Maximum Output (Voltage) .. Limited to  $<5.5$  Vdc for 0-5 Vdc,  $<10.5$  for 0-10 Vdc  
 Input Voltage Effect..... Negligible over specified operating range  
 Protection Circuitry..... Reverse voltage protected and output limited  
 Ambient Operating Range..... -40 to  $50^{\circ}\text{C}$  (-4 to  $122^{\circ}\text{F}$ ), 0 to 95 %RH non-condensing  
 Enclosure..... ABS - UL94-V0, IP65 (NEMA4X)  
 Wiring Connections..... Screw terminal block (14 to 22 AWG)  
 Country of Origin..... Canada

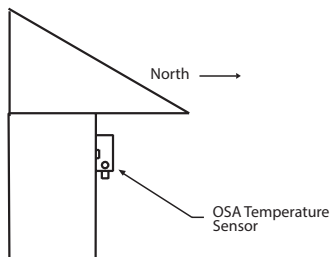
\*This product is factory calibrated and any field adjustment will void the warranty.

### TYPICAL INSTALLATION:

**For complete installation and wiring details, please refer to the product installation instructions.**

The outside temperature transmitter should be mounted on an outside North facing wall, under the eaves which will provide protection from direct sunlight.

The outside temperature sensor can be mounted directly to building's wall face using the provided mounting holes. There is one 0.85" hole for conduit connection.



### PART NUMBER SELECTED

--

### PRODUCT SELECTION INFORMATION:

MODEL	Product Description
HATXOS	High Accuracy Outside Temperature Transmitter

CODE	Enclosure
A	ABS, with hinged & gasketed cover

CODE	Sensor
18	1000 $\Omega$ , Platinum, 2 wire, IEC 751, 385 Alpha, thin film Class A
48	1000 $\Omega$ , Platinum, 2 wire, IEC 751, 385 Alpha, thin film 1/3 DIN
22	1000 $\Omega$ , Platinum, 2 wire IEC 751, 385 Alpha, thin film, 1/10 DIN

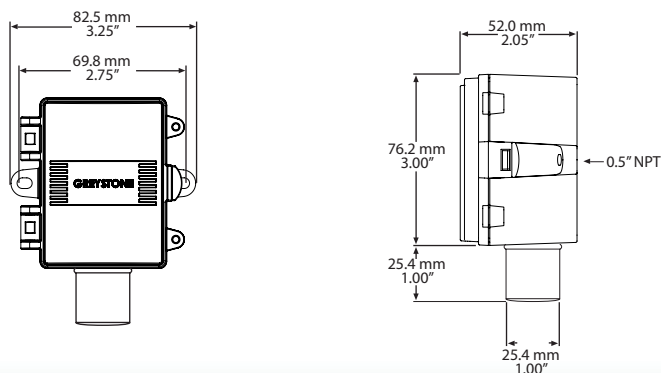
CODE	Scaled Range
001	0 to $35^{\circ}\text{C}$ (32 to $95^{\circ}\text{F}$ )
002	0 to $50^{\circ}\text{C}$ (32 to $122^{\circ}\text{F}$ )
003	0 to $100^{\circ}\text{C}$ (32 to $212^{\circ}\text{F}$ )
006	-50 to $50^{\circ}\text{C}$ (-58 to $122^{\circ}\text{F}$ )

--

Greystone Energy Systems, Inc. reserves the right to make design modifications without prior notice.

### DIMENSIONS:





# GREYSTONE

**ENERGY SYSTEMS INC**

Greystone Energy Systems, Inc.  
150 English Drive, Moncton,  
New Brunswick, Canada E1E 4G7

(506) 853-3057 Fax: (506) 853-6014  
North America: 1-800-561-5611  
e-mail: [mail@greystoneenergy.com](mailto:mail@greystoneenergy.com)  
[www.greystoneenergy.com](http://www.greystoneenergy.com)

**RoHS**  
COMPLIANT



*Greystone Energy Systems Inc. is one of North America's largest ISO registered manufacturers of HVAC/R sensors and transmitters for Building Automation Management Systems.*

*We have conscientiously established a worldwide reputation as an industry leader by maintaining leading-edge design technology, prompt technical support, and a commitment to on-time deliveries. We take pride in our Quality Management System which is ISO 9001 certified, assuring our customers of consistent product reliability.*

GREYSTONE HAS AN **ISO 9001** REGISTERED QUALITY SYSTEM