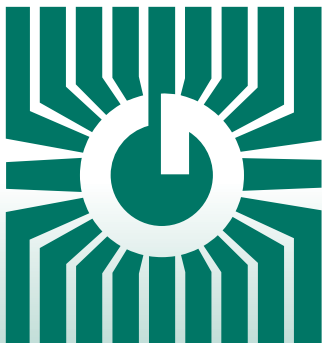


# GREYSTONE

## ENERGY SYSTEMS INC



## GAGE PRESSURE TRANSMITTER GP Series



### Precision pressure control/sensing

#### FEATURES:

- FT-6 or Armored cable available in different lengths
- Four, switch selectable ranges per model
- LCD display
- Jumper selectable outputs: 4-20 mA, 0-5 Vdc or 0-10 Vdc
- Polycarbonate enclosure with hinged and gasketed cover

*Peace of mind  
through reliable  
pressure monitoring*

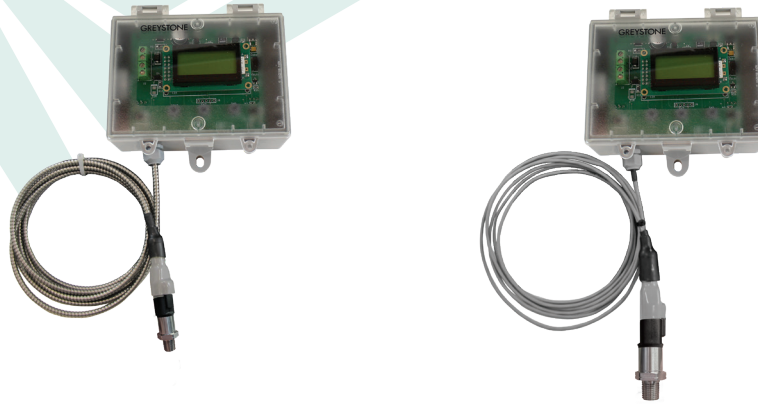
GREYSTONE HAS AN ISO 9001 REGISTERED QUALITY SYSTEM

# GP - GAGE PRESSURE TRANSMITTER

## FEATURES:

The Gage Pressure Transmitter is designed with a single remote sensor that enables it to accept high pressure in several ranges up to 500 PSI, 35 Bar or 3500 kPa. All models can handle overload pressure 2X the maximum fully scaled range and burst pressure is 20X the maximum full scaled range.

Features include field selectable pressure ranges and output signal types, output reversal and slow-damping for the most flexible applications. The output signal is factory calibrated and temperature compensated for the highest start-up accuracy.



## SPECIFICATIONS:

Power Supply .....	24 Vac/dc $\pm$ 10% (non-isolated half-wave rectified)
Consumption .....	75 mA max @ 24 Vdc
Output Signal .....	4-20 mA sourcing, 0-5/0-10 Vdc (jumper selectable)
Output Drive .....	<b>Current:</b> 500 ohms max <b>Voltage:</b> 10K ohms min
Protection Circuitry .....	Reverse voltage protected, transient protected
LCD .....	35 x 15 mm (1.4 x 0.6"), 2-line x 8-character
Accuracy .....	$\pm$ 1% full scale of selected range (range 4 is $\pm$ 2%)
Stability .....	$\pm$ 0.25% FS typical (1 year)
Pressure Ranges .....	4 per model (menu selectable)
Media Compatibility .....	17-4 PH stainless steel
Proof Pressure .....	2X highest range per model
Burst Pressure .....	20X highest range per model
Maximum Line Pressure .....	= highest model range
Pressure Cycles .....	> 100 million
Surge Damping .....	1-60 seconds averaging (menu selectable)
Zero Adjust .....	Push-button and remote input
Sensor Operating Range .....	-40 to 105°C (-40 to 221°F)
Operating Environment .....	0 to 50°C (32 to 122°F) 10 to 90 %RH non-condensing
Pressure Connection .....	1/4" NPT male
Sensor Housing .....	IP67
Remote Sensor Cable .....	<b>S:</b> FT-6 plenum rated <b>A:</b> Armored Flexible S/S
Wiring Connection .....	14-22 AWG screw terminal block
Enclosure .....	Polycarbonate, UL94-V0, IP65 (NEMA 4X) F style includes thread adapter (1/2" NPT to M16) and cable gland fitting
Dimensions .....	112.5 W x 116.5 H x 53.7 D mm (4.43" x 4.59" x 2.11")
Weight .....	750g (26.5 oz) - Including remote cables and sensors
Country of Origin .....	Canada

## APPLICATIONS:

- Pump Monitoring
- Filter Monitoring
- Chiller Monitoring
- HVAC Systems

## PRODUCT SELECTION INFORMATION:

MODEL	Product Description
GP	Gage Pressure Transmitter

CODE	Enclosure
B	Polycarbonate with hinged and gasketed cover
F	Same as B, with thread adapter and cable gland fitting

CODE	Pressure Ranges
01	5, 10, 25, and 50 PSI ranges
02	10, 20, 50, and 100 PSI ranges
03	25, 50, 125, and 250 PSI ranges
04	50, 100, 250, and 500 PSI ranges
05	0.5, 1.0, 2.5, and 5.0 Bar
06	0.7, 1.4, 3.5, and 7.0 Bar
07	1, 2, 5, and 10 Bar
08	3.5, 7, 17.5, and 35 Bar
09	50, 100, 250, and 500 kPa
10	70, 140, 350, and 700 kPa
11	100, 200, 500, and 1000 kPa
12	350, 700, 1750, and 3500 kPa

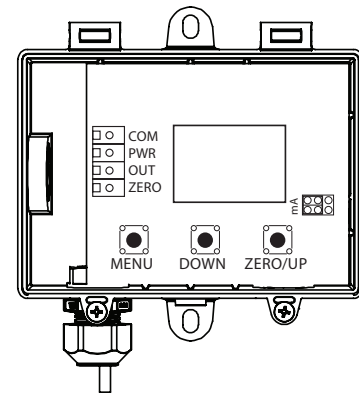
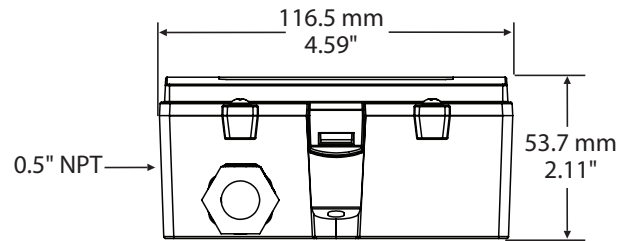
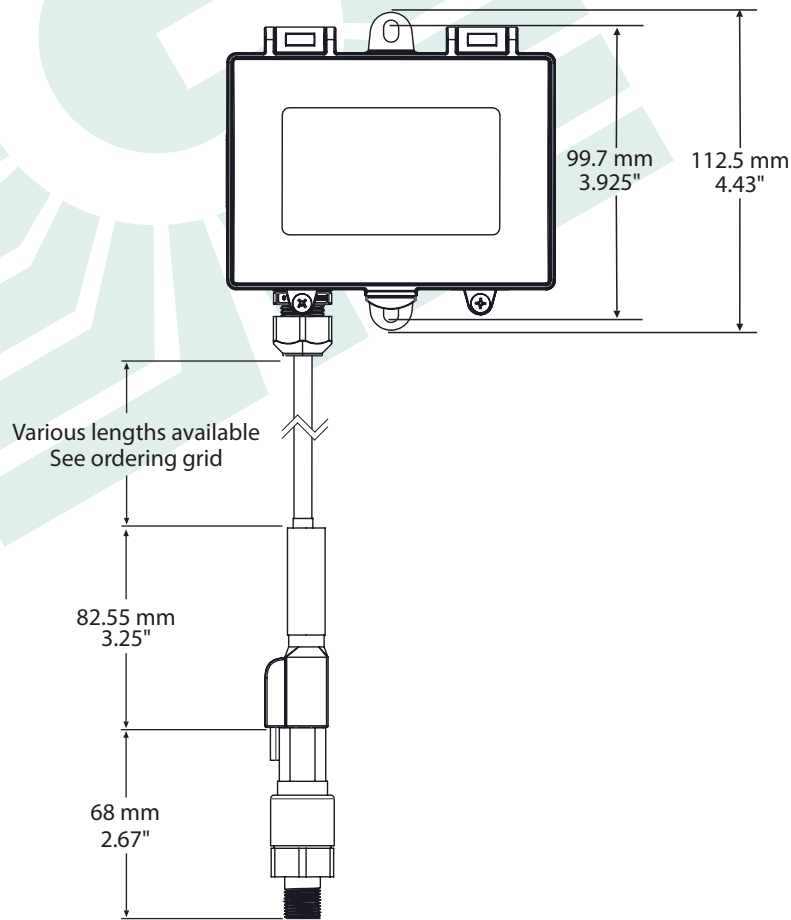
CODE	Cable Type
S	FT-6 Plenum Rated
A	Armored Cable

CODE	Cable Length
15	1.5 m (5')
30	3.0 m (10')

GP	B	01	S	15
----	---	----	---	----

Greystone Energy Systems, Inc. reserves the right to make design modifications without prior notice.

## DIMENSIONS:



# GREYSTONE

ENERGY SYSTEMS INC

Greystone Energy Systems Inc.  
150 English Drive, Moncton,  
New Brunswick, Canada E1E 4G7  
(506) 853-3057 Fax: (506) 853-6014  
North America: 1-800-561-5611  
e-mail: mail@greystoneenergy.com  
www.greystoneenergy.com

RoHS  
COMPLIANT



*Greystone Energy Systems Inc. is one of North America's largest ISO registered manufacturers of HVAC/R sensors and transmitters for Building Automation Management Systems.*

*We have conscientiously established a worldwide reputation as an industry leader by maintaining leading-edge design technology, prompt technical support, and a commitment to on-time deliveries. We take pride in our Quality Management System which is ISO 9001 certified, assuring our customers of consistent product reliability.*

GREYSTONE HAS AN ISO 9001 REGISTERED QUALITY SYSTEM