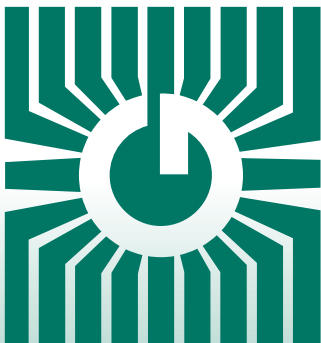


GREYSTONE

ENERGY SYSTEMS INC



DIFFERENTIAL PRESSURE TRANSMITTER DP Series



Precision pressure control/sensing

FEATURES:

- FT-6 or Armored cable available in different lengths
- Four, switch selectable uni or bi-directional
- LCD display
- Jumper selectable outputs: 4-20 mA, 0-5 Vdc or 0-10 Vdc
- Polycarbonate enclosure with hinged and gasketed cover

*Peace of mind
through reliable
pressure monitoring*

GREYSTONE HAS AN ISO 9001 REGISTERED QUALITY SYSTEM

DP - DIFFERENTIAL PRESSURE TRANSMITTER

FEATURES:

The differential pressure transmitter is designed with dual remote sensors that enable it to accept high pressure in ranges up to 500 PSI. All models are rated for overload pressure 2X the maximum fully scale range and burst pressure is 20X the maximum full scale range.

Features include field selectable pressure ranges and output signal types, output reversal and slow damping, port swapping and bidirectional measurements for the most flexible applications. The output signal is factory calibrated and temperature compensated for the highest start-up accuracy.



SPECIFICATIONS

Power Supply.....	24 Vac/dc \pm 10% (non-isolated half-wave rectified)
Consumption.....	75 mA max @ 24 Vdc
Output Signal.....	4-20 mA sourcing, 0-5/0-10 Vdc (switch selectable)
Output Drive	Current: 500 ohms max Voltage: 10K ohms min
Protection Circuitry.....	Reverse voltage protected, transient protected
LCD.....	35 x 15 mm (1.4 x 0.6"), 2-line x 8-character
Accuracy.....	\pm 1% full scale of selected range (range 4 is \pm 2%)
Stability	\pm 0.25% FS typical (1 year)
Pressure Ranges.....	4 per model (menu selectable)
Media Compatibility.....	17-4 PH stainless steel
Proof Pressure.....	2X highest range per model
Burst Pressure	20X highest range per model
Maximum Line Pressure.....	= highest model range
Pressure Cycles.....	> 100 million
Surge Damping	1-60 seconds averaging (menu selectable)
Zero Adjust.....	Push-button and remote input
Sensor Operating Range.....	-40 to 105°C (-40 to 221°F)
Operating Environment	0 to 50°C (32 to 122°F) 10 to 90 %RH non-condensing
Pressure Connection.....	1/4" NPT male
Sensor Housing.....	IP67
Remote Sensor Cable	S: FT-6 plenum rated A: Armored Flexible S/S
Wiring Connection.....	14-22 AWG screw terminal block
Enclosure.....	Polycarbonate, UL94-V0, IP65 (NEMA 4X) F style includes thread adapter (1/2" NPT to M16) and cable gland fitting
Dimensions.....	112.5 W x 116.5 H x 53.7 D mm (4.43" x 4.59" x 2.11")
Weight.....	650g (22.9 oz) - Including remote cables and sensors
Country of Origin	Canada

APPLICATIONS:

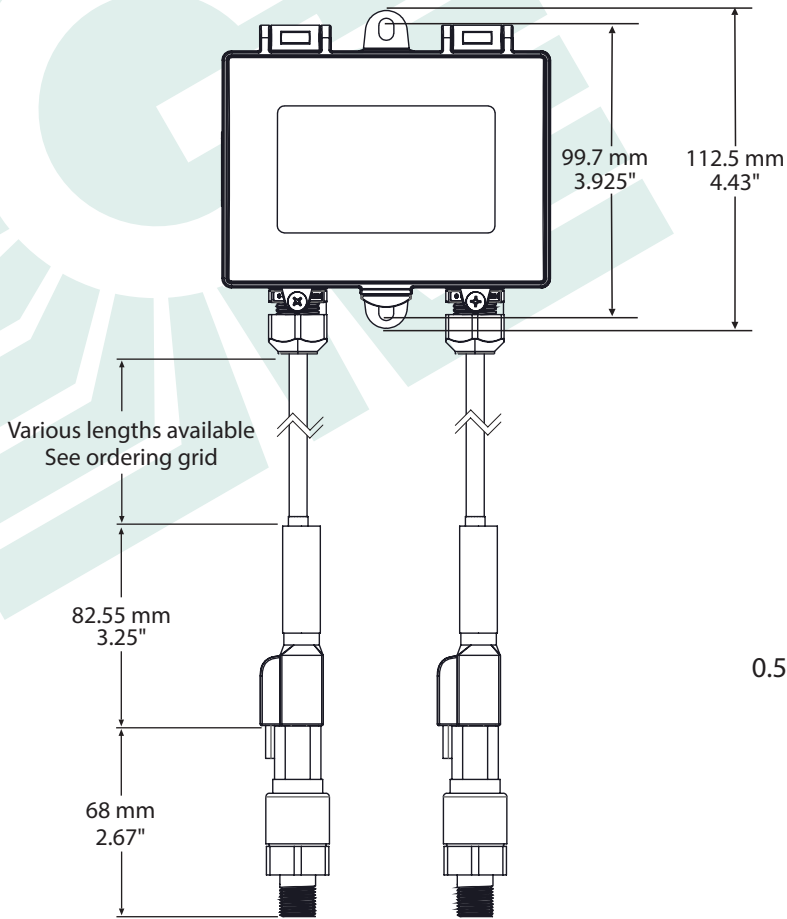
- Pump Monitoring
- Filter Monitoring
- Chiller Monitoring
- HVAC Systems

PRODUCT SELECTION INFORMATION:

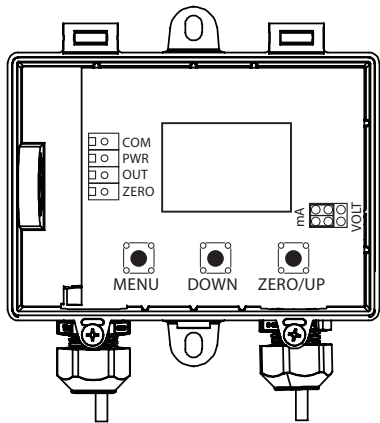
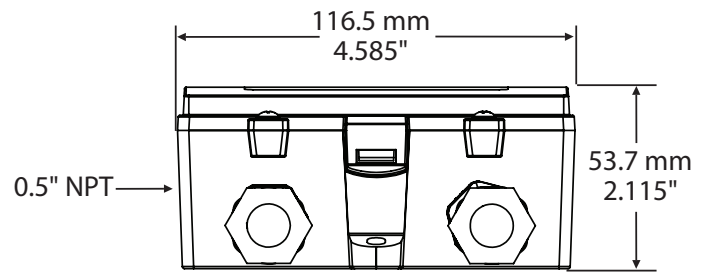
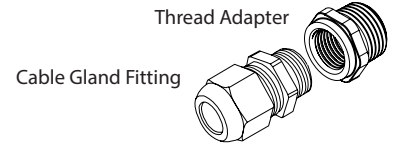
MODEL	Product Description			
DP	Differential Pressure Transmitter			
CODE	Enclosure			
B	Polycarbonate with hinged and gasketed cover			
F	Same as B, with thread adapter and cable gland fitting			
CODE	Pressure Ranges			
01	5, 10, 25, and 50 PSI ranges			
02	10, 20, 50, and 100 PSI ranges			
03	25, 50, 125, and 250 PSI ranges			
04	50, 100, 250, and 500 PSI ranges			
05	0.5, 1.0, 2.5, and 5.0 Bar			
06	0.7, 1.4, 3.5, and 7.0 Bar			
07	1, 2, 5, and 10 Bar			
08	3.5, 7, 17.5, and 35 Bar			
09	50, 100, 250, and 500 kPa			
10	70, 140, 350, and 700 kPa			
11	100, 200, 500, and 1000 kPa			
12	350, 700, 1750, and 3500 kPa			
CODE	Cable Type			
S	FT-6 Plenum Rated			
A	Armored Cable			
CODE	Cable Length			
15	1.5 m (5')			
30	3.0 m (10')			
DP	B	01	S	15

Greystone Energy Systems, Inc. reserves the right to make design modifications without prior notice.

DIMENSIONS:



Included with F style enclosure



GREYSTONE
ENERGY SYSTEMS INC

Greystone Energy Systems Inc.
150 English Drive, Moncton,
New Brunswick, Canada E1E 4G7
(506) 853-3057 Fax: (506) 853-6014
North America: 1-800-561-5611
e-mail: mail@greystoneenergy.com
www.greystoneenergy.com

RoHS
COMPLIANT



Greystone Energy Systems Inc. is one of North America's largest ISO registered manufacturers of HVAC/R sensors and transmitters for Building Automation Management Systems.

We have conscientiously established a worldwide reputation as an industry leader by maintaining leading-edge design technology, prompt technical support, and a commitment to on-time deliveries. We take pride in our Quality Management System which is ISO 9001 certified, assuring our customers of consistent product reliability.

GREYSTONE HAS AN **ISO 9001** REGISTERED QUALITY SYSTEM