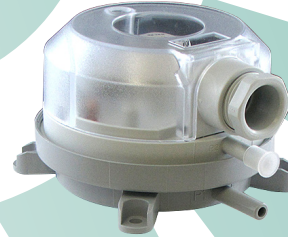




DIFFERENTIAL PRESSURE SWITCH - MULTI-PACK GFS-MP Series

The differential pressure switch housing unit contains a diaphragm, a snap-acting SPDT switch, and a range adjustment knob with increments. The sample connections located on the side accept 6.35mm (0.25") OD tubing. There are 3 pressure ranges available. The enclosure cover guards against accidental contact with the live switch terminal screws and the setpoint adjustment knob with indication.



This is a 45 piece multi-pack.

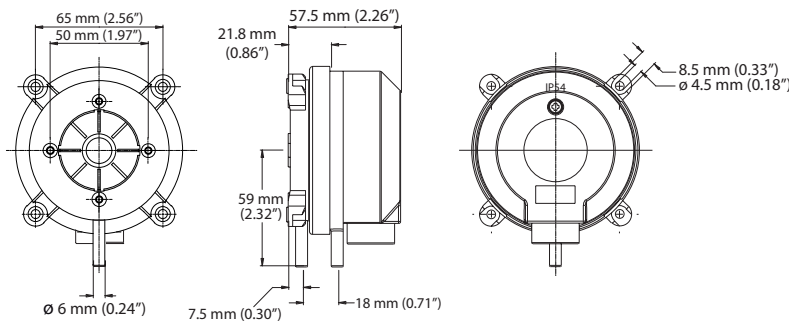
SPECIFICATIONS:

Adjustment Range.....See product ordering information
 Adjustment Knob Markings.....Scaled in Pascal and "WC
 Switch Tolerance.....±15%
 Maximum Operating Pressure.....1.45 PSI (10 kPa) for all pressure ranges
 Medium.....Air, non-combustible and non-aggressive gases
 Temperature Range.....Medium and ambient temperature:
 -20 to 60°C (-4 to 140°F)
 Storage Temperature:
 -40 to 85°C (-40 to 185°F)
 Diaphragm Material.....Silicone, tempered at 200°C, free of gas emissions
 Pressure Connections.....2 plastic pipe connections pieces
 (P1 and P2), external diameter 6.0mm
 P1 for connection to higher pressure
 P2 for connection to lower pressure
 Electrical Rating.....Max. 1.0A (0.4A) / 250 Vac, 50/60 Hz
 Max. 0.1A / 24 Vdc
 Electrical Connections.....AMP flat plug 6.3mm x 0.8mm
 Push-on screw terminals
 Cable conduit with cable relief
 Mechanical Working Life.....Over 10 million switching operations
 Housing Materials.....Switch body made of PA 6.6
 Cover made of PC
 Protection Category.....IP54 with cover (NEMA 13)
 Weight.....With cover 160g
 Included Accessories.....Set of 3 push-on screw terminals
 Approvals.....CE

AVAILABLE ACCESSORIES:

DDP-Install Kit-MP.....2 meters of PVC hose and 2 plastic tubes

DIMENSIONS:



PART NUMBER SELECTED

PRODUCT SELECTION INFORMATION:

MODEL	Product Description
GFS	Adjustable Airflow Switch with Setpoint Indication

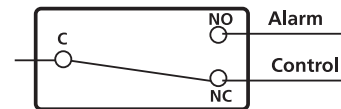
CODE	Range
80C	0.08" to 1.20 "w.c. (20 to 300 Pa), Switch differential 0.04" w.c. (10 Pa)
83C	0.2" to 2.00 "w.c. (50 to 500 Pa), Switch differential 0.08 "w.c. (20 Pa)
86C	2.00" to 10.00 "w.c. (500 to 2500 Pa), Switch differential 0.60 "w.c. (150 Pa)

CODE	Electrical Connections
NPMPG	1/2" NPT, multi-pack - 45PCS per carton
M2MPG	M20, multi-pack - 45PCS per carton
CNMPG	Cap Nut, Multi-pack - 45PCS per carton

Greystone Energy Systems, Inc. reserves the right to make design modifications without prior notice.

ALARM OR CONTROL:

To prove excessive airflow or pressure



To prove insufficient airflow or pressure

