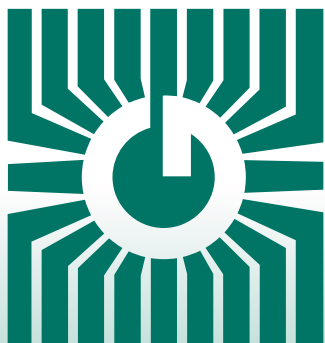
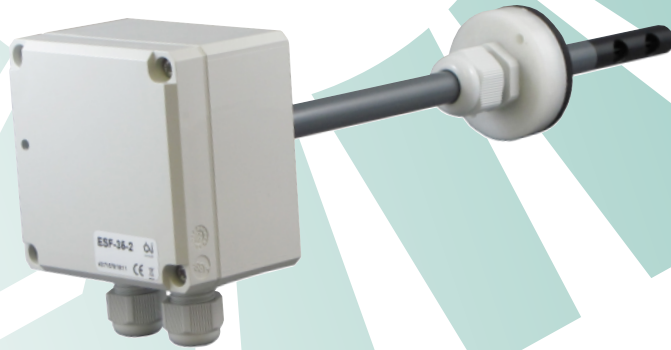


GREYSTONE ENERGY SYSTEMS INC



AIR FLOW TRANSMITTER ESF Series



Precision airflow control/sensing

FEATURES:

- Converts airspeed into a 4 - 20mA or a 0 - 10 VDC signal
- Linear output signal
- Made with corrosion resistant material
- Fully electronic registration of airflow speed
- AC or DC voltage supply
- Compensates for changes of air temperature
- Telescopic sensor facilitates installation
- Temperature output signal 0 - 10 VDC
- Fuse protected

*Peace of mind
through reliable
air velocity monitoring*

GREYSTONE HAS AN **ISO 9001** REGISTERED QUALITY SYSTEM

APPLICATION:

The ESF airflow transmitter can be used in a wide range of applications such as:

- Measurements of airflow speed via PLC/outstation/EMS
- Regulation of airflow speed
- Monitoring of airflow speed

FUNCTION:

The ESF-35-2 transmitter registers the airflow speed according to a thermal principle based on the fact that the cooling action of air increases with airspeed. The action is measured and converted to a 4 - 20 mA or a 0 - 10 V signal corresponding to airflow speeds from 0 - 8 m/s (0 - 1575 ft/min) or 0 - 16 m/s (0 - 3150 ft/min).

TECHNICAL DATA:

Airflow speed range	0 - 8 m/s (1575 ft/min),
(By removing on-board jumper)	0 - 16 m/s (3150 ft/min)
Output signal (flow)	4 - 20mA, 0 - 10 VDC
Output signal (temperature)	0 - 10 VDC
Temperature range	0 - 50°C (32°F - 122°F)
Air temperature	-10°C - 60°C (14°F - 140°F)
Ambient temperature	-20°C - 50°C (-4°F - 122°F)
Humidity range	5 - 95% RH, non-condensing
AC voltage supply	24 VAC (120mA)
DC voltage supply	16 - 30 VDC (80mA)
Absolute accuracy	±5 %
Rise time	20 sec
Time constant	5 sec
Depth of insertion in channel	50 - 200 mm (2 - 8 in.)
Dimensions (H x W x D)	80 x 80 x 55 mm (3.15 x 3.15 x 2.17 in.)
Enclosure rating	IP54
Country of Manufacture	Denmark

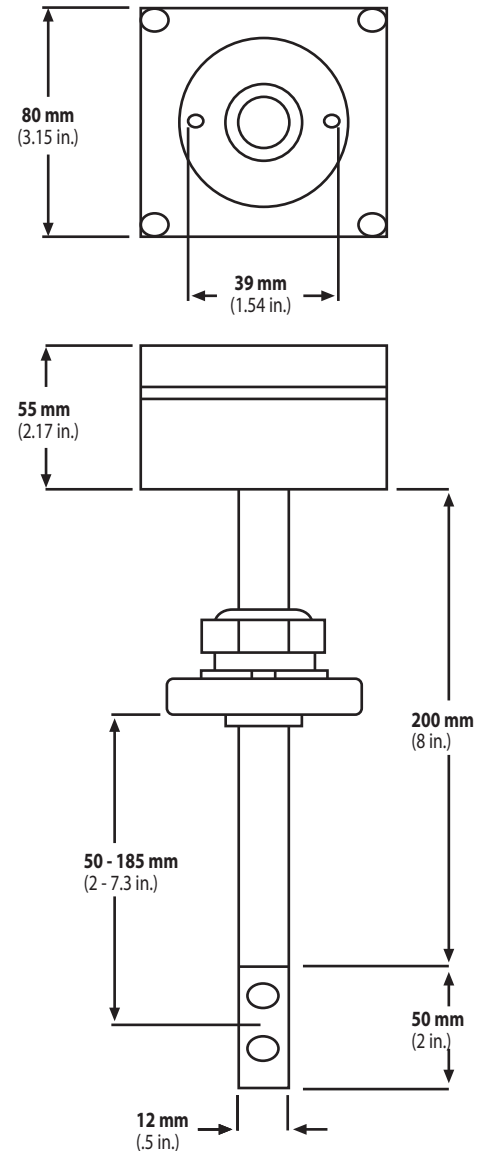
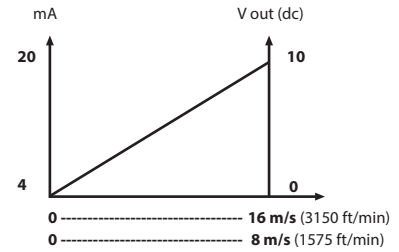
INSTALLATION:

The ESF-35-2 is installed in such a way that the current of air passes through the gap of the sensor head. Conductors to and from the transducer should be kept isolated from high-power conductors where powerful transient voltage spikes may appear.

ORDERING INFO:

ESF-35-2	Airflow Transmitter
ESF-35-2-M2	Airflow Transmitter, 2 pack

NOTE: The M2 option provides two ESF-35-2 in the one product carton. Using this option when ordering multiple units will reduce the shipping carton size and freight costs.



GREYSTONE
ENERGY SYSTEMS INC

Greystone Energy Systems, Inc.
150 English Drive, Moncton,
New Brunswick, Canada E1E 4G7
(506) 853-3057 Fax: (506) 853-6014
North America: 1-800-561-5611
e-mail: mail@greystoneenergy.com
www.greystoneenergy.com



Greystone Energy Systems Inc. is one of North America's largest ISO registered manufacturers of HVAC/R sensors and transmitters for Building Automation Management Systems. We have conscientiously established a worldwide reputation as an industry leader by maintaining leading-edge design technology, prompt technical support, and a commitment to on-time deliveries. We take pride in our Quality Management System which is ISO 9001 certified, assuring our customers of consistent product reliability.

GREYSTONE HAS AN ISO 9001 REGISTERED QUALITY SYSTEM