



# DSD120 Duct Smoke Detector

**SPECIFICATIONS**

Operating Temperature:	-4° to 158° F (-20° to 70° C)
Storage Temperature:	-22° to 158° F (-30° to 70° C)
Humidity:	0% to 95% Relative Humidity Non-condensing
Air Velocity:	100 to 4000 ft./min. (0.5 to 20.3 m/sec.)
DSD120 Footprint Dimensions:	Rectangular - 14.38 in L x 4.57 in W x 2.67 in D (37cm L x 11.6cm W x 6.8cm D) Square - 7.75 in L x 9 in W x 2.67 in D (19.7cm L x 22.9cm W x 6.8cm D)
DSD120 Weight:	2.5 pounds; 1.14 kg

**Electrical**

Power supply voltage:	20-29 VDC	24 VAC 50-60-Hz	120 VAC 50-60 Hz
Input capacitance:	270 µF max.	270 µF max.	N/A
Reset Voltage:	3.0 VDC min.	2.0 VAC min.	10 VAC min.
Reset Time (with RTS151):	.03 to 0.3 sec.	.03 to 0.3 sec.	.03 to 0.3 sec.
Reset Time (by power down):	0.6 sec. max.	0.6 sec. max.	0.6 sec. max.
Power Up Time:	35 sec. max.	35 sec. max.	35 sec. max.
Alarm response time:	15 sec.	15 sec.	15 sec.
Sensitivity Test:	See detector label	See detector label	See detector label

**Current Requirements (Using No Accessories)**

Max. standby current	21 mA @ 24 VDC	65 mA RMS @ 24VAC 60Hz	20 mA RMS @ 120 VAC 60 Hz
Max. alarm current	65 mA @ 24 VDC	135 mA RMS @ 24 VAC 60 Hz	35 mA RMS @ 120 VAC 60 Hz

**CONTACT RATINGS**

Alarm initiation contacts (SPST)	2.0A @ 30 VDC (resistive)
Alarm auxiliary contacts (DPDT)	10A @30 VDC (resistive) 10A @250 VAC (resistive) 1/2 HP @240 VAC 1/4 HP @120 VAC
NOTE: Alarm auxiliary contacts shall not be connected to initiating circuits of control panels. Use the alarm initiation contact for this purpose.	
Supervisory Contacts (SPDT)	2.0A @ 30 VDC (resistive) 2.0A @ 125 VAC (resistive)

ACCESSORY CURRENT LOADS AT 24 VDC			
DEVICE	STANDBY	TROUBLE	ALARM
APA151	12.5mA	n/a	30mA Max.
MHR(A)/MHW(A)	0mA	n/a	29mA Max.
RA100Z(A)	0mA	n/a	12mA Max.
RTS151	0mA	n/a	12mA Max.
RTS151KEY(A)	12mA	n/a	12mA Max.

Only (A) models are ULC listed .

NOTE: Any combination of accessories may be used such that the given accessory loads are: 110mA or less at the Aux output, and 50mA or less at the Alarm output.

**[1] LIMITATIONS OF DUCT SMOKE DETECTORS**



The National Fire Protection Association has established that DUCT DETECTORS MUST NOT BE USED AS A SUBSTITUTE FOR OPEN AREA DETECTOR PROTECTION as a means of providing life safety. Nor are they a substitute for early warning in a building's regular fire detection system.

Greystone Energy supports this position and strongly recommends that the user read NFPA Standards 90A, 72, 101, and CAN/ULC S524. The DSD120 Air Duct Smoke Detectors are listed per CAN/ULC S529 and UL 268A.

This device will not operate without electrical power. Fire situations may cause an interruption of power. The system safeguards should be discussed with your local fire protection specialist.

This device will not sense smoke unless the ventilation system is operating and the cover is installed.

For this detector to function properly, it MUST be installed according to the instructions in this manual. Furthermore, the detector MUST be operated within ALL electrical and environmental specifications listed in this manual. Failure to comply with these requirements may prevent the detector from activating when smoke is present in the air duct.

**TABLE OF CONTENTS**

	<b>PAGE</b>
[1] Limitations of Duct Smoke Detectors . . . . .	1
[2] Exploded View of Duct Smoke Detector Components . . . . .	2
[3] General Description . . . . .	2
[4] Contents of Duct Smoke Detector Kit. . . . .	2
[5] Detector Installation . . . . .	2
[6] Sampling Tube Installation . . . . .	3
[7] Measurement Tests . . . . .	3
[8] Field Wiring Installation Guidelines. . . . .	4
[9] Detector Status Indication. . . . .	5
[10] Interconnection (Multiple Fan Shut Down). . . . .	5
[11] Verification of Operation . . . . .	5
[12] Detector Cleaning Procedures . . . . .	6
[13] Sensor Replacement . . . . .	6
[14] Optional Accessories . . . . .	6
Wiring Diagrams.. . . .	4- 6
Detector Status . . . . .	7
Warranty. . . . .	8

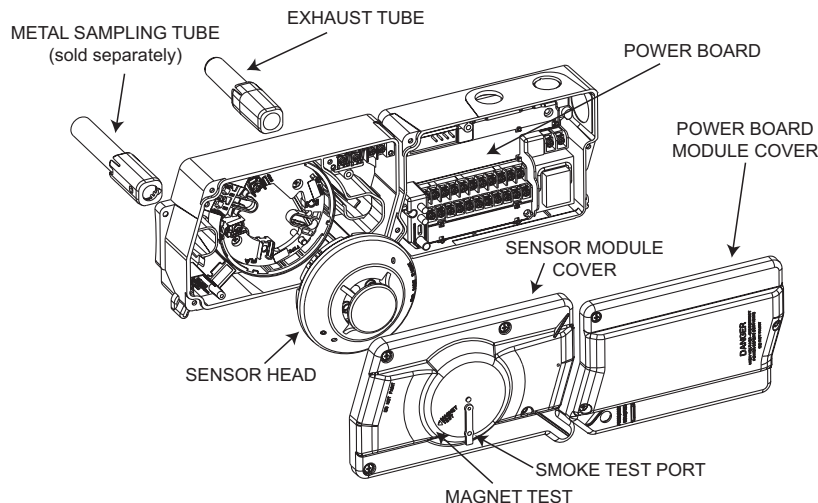
**BEFORE INSTALLING**

Read the *Applications Guide for Duct Smoke Detectors*, which provides information on detector spacing, placement, zoning, wiring, and special applications. This manual is available online at www.greystoneenergy.com. NFPA Standards 72, 90A, and CAN/ULC S524 should also be referenced for detailed information

**NOTICE:** This manual shall be left with the owner/user of this equipment.

**IMPORTANT:** This detector must be tested and maintained regularly following NFPA 72 or CAN/ULC S536 requirements. The detector should be cleaned at least once a year.

**[2] FIGURE 1. EXPLODED VIEW OF DUCT SMOKE DETECTOR COMPONENTS:**



H0637-00

**[3] GENERAL DESCRIPTION**

Smoke introduced into an air duct system will be distributed throughout the entire building. Smoke detectors designed for use in air duct systems are used to sense the presence of smoke in the duct.

Model DSD120 Duct Smoke Detector uses 4-wire photoelectric technology for the detection of smoke. This detection method, when combined with an efficient housing, samples air passing through the duct allowing detection of a developing hazardous condition. When sufficient smoke is sensed, an alarm signal is initiated and appropriate action can be taken to shut off fans, blowers, change over air handling systems, etc. These actions can facilitate the management of toxic smoke and fire gases throughout the areas served by the duct system.

The DSD120 detector is designed to operate on 24 VDC/VAC or 120 VAC. Alarm and supervisory relay contacts are available for control panel interface (alarm initiation), HVAC control, and other auxiliary functions. The fire alarm control panel is NOT notified when sensor maintenance is required. Auxiliary relays are provided for fan shut down. Detector interconnection provides signaling of up to 30 other detectors in the loop for multiple fan shut down. These detectors are not designed for 2-wire applications.

**[3.1] DETECTOR FEATURE SET**

- Uses 2D51A plug-in head
- Cover missing signal
- Sampling tubes install from front or rear of detector
- Compatible with existing accessories

**[4] CONTENTS OF THE DUCT SMOKE DETECTOR KIT**

1. Sensor/power board assembly and cover(s)
2. Three #10 sheet metal screws for mounting
3. Drilling template
4. One sampling tube end cap
5. One plastic exhaust tube

NOTE: A sampling tube must be ordered to complete the installation. It must be the correct length for the width of the duct where it will be installed. See Table 1 on page 3 to determine the inlet tube required for different duct widths.

**[5] DETECTOR INSTALLATION**

**[5.1] VERIFY AIR FLOW DIRECTION AND VELOCITY**

Model DSD120 detectors are designed to be used in air handling systems with air velocities of 100 to 4000 feet per minute. Duct widths from 6 inches to 12 feet can be accommodated. Be sure to check engineering specifications to ensure that the air velocity in the duct falls within these parameters. If necessary, use a velocity meter (anemometer) to check the air velocity in the duct.

**[5.2] DETERMINE MOUNTING LOCATION AND CONFIGURATION**

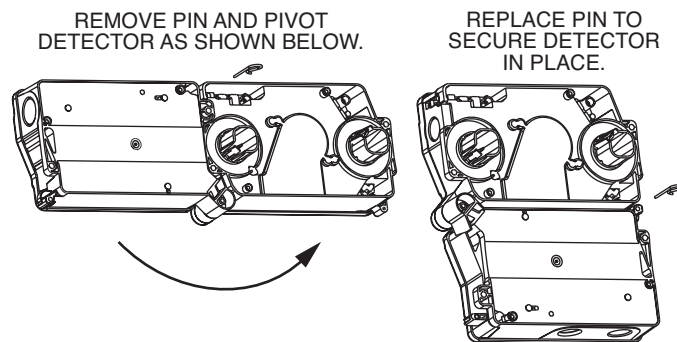
On ducts wider than 18 inches it is recommended that the detector be mounted downstream of a bend, obstruction in the duct, or the supply or return air inlet.

**Exception:** Installation of duct detectors can be on or within a commercial packaged rooftop heating and air-conditioning system, fire/smoke dampers and economizers. They may be mounted in either the supply and/or return air sec-

tion as determined by local code.

Once a suitable location is selected, determine if the detector is to be mounted in a side-by-side “rectangular” configuration or a top-over-bottom “square” configuration as shown in **Figure 2**. If mounting in the square configuration, remove the rear attachment pin, rotate the unit at the hinge, and replace the pin into the new attachment hole as shown in **Figure 2**. Do NOT remove the hinge screw during this process. Final installation approval shall be based upon passing section 7.2.

**FIGURE 2:**



H0638-00

**[5.3] DRILL THE MOUNTING HOLES**

Remove the paper backing from the mounting template supplied. Affix the template to the duct at the desired mounting location. Make sure the template lies flat and smooth on the duct.

**[5.3.1] FOR RECTANGULAR SIDE-BY-SIDE MOUNTING CONFIGURATION:**

Center punch at (4) target centers: (2) “A” for sampling tubes and (2) “B” for the rectangular configuration mounting tabs as shown on mounting template. Drill pilot holes at target “A” centers and cut two 1.375 inch diameter holes using a 1<sup>3</sup>/<sub>8</sub> inch hole saw or punch. Drill .156 inch diameter holes using a <sup>5</sup>/<sub>32</sub> inch drill at target “B” centers.

**[5.3.2] FOR SQUARE TOP-OVER-BOTTOM MOUNTING CONFIGURATION:**

Center punch at (4) target centers: (2) “A” for sampling tubes and (2) “C” for the square configuration mounting tabs as shown on mounting template. Drill pilot holes at target “A” centers and cut two 1.375 inch diameter holes using a 1<sup>3</sup>/<sub>8</sub> inch hole saw or punch. Drill .156 inch diameter holes using a <sup>5</sup>/<sub>32</sub> inch drill at target “C” centers. If desired, drill an additional .156 inch hole at the location of one of the mounting tabs on the lower housing.

**[5.4] SECURE THE DUCT DETECTOR TO THE DUCT**

Use two (rectangular configuration) or three (square configuration) of the provided sheet metal screws to screw the duct detector to the duct.

**CAUTION:** Do not overtighten the screws.

## [6] SAMPLING TUBE INSTALLATION

### [6.1] SAMPLING TUBE SELECTION

The sampling tube must be purchased separately. Order the correct length, as specified in **Table 1**, for width of the duct where it will be installed. It is recommended that the sampling tube length extend at least  $\frac{2}{3}$  across the duct width for optimal performance.

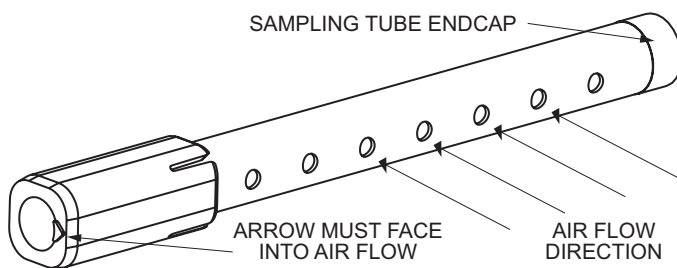
**TABLE 1. SAMPLING TUBES RECOMMENDED FOR DIFFERENT DUCT WIDTHS:**

Outside Duct Width	Sampling Tube Recommended*
Up to 1 ft.	DST1
1 to 2 ft.	DST1.5
2 to 4 ft.	DST3
4 to 8 ft.	DST5
8 to 12 ft.	DST10 (2-piece)

\*Must extend a minimum of  $\frac{2}{3}$  the duct width.

The sampling tube is always installed with the air inlet holes facing into the air flow. To assist proper installation, the tube's connector is marked with an arrow. Make sure the sampling tube is mounted so that the arrow points into the airflow as shown in **Figure 3**. Mounting the detector housing in a vertical orientation is acceptable provided that the air flows directly into the sampling tube holes as indicated in **Figure 3**. The sampling tube and exhaust tube can be mounted in either housing connection as long as the exhaust tube is mounted downstream from the sampling tube.

**FIGURE 3. AIR DUCT DETECTOR SAMPLING TUBE:**



H0551-00

**CAUTION:** The sampling tube end cap, included with the detector, is critical to proper operation of the duct smoke detector. The end cap is needed to create the proper air flow to the sensor of the duct smoke detector. Once any sampling tube length adjustments are made, plug the end of the sampling tube with the provided end cap.

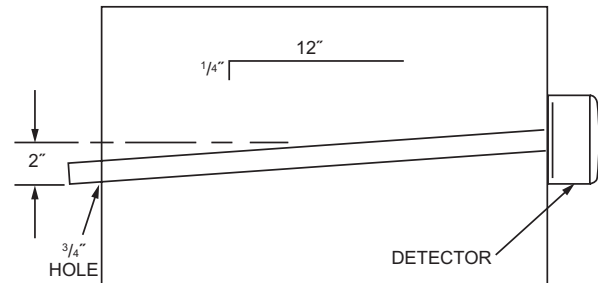
A plastic exhaust tube is included with the unit to be installed if needed. Install into the housing connection that is downstream from the sampling tube connection. The exhaust tube can be installed from the front or back of the detector. A longer 1 foot exhaust tube, model ETX, is available as an accessory in cases where the molded exhaust tube does not extend at least 2 inches into the duct.

### [6.2] SAMPLING TUBE INSTALLATION

- For tubes shorter than the width of the duct, slide the sampling tube, with installed end cap, into the housing connection that meets the airflow first. Position the tube so the arrow points into the airflow as shown in **Figure 3**. Per NFPA sampling tubes over 3 feet long should be supported at the end opposite the duct detector. In ducts wider than 8 feet, work must be performed inside the duct to couple the other section of the sampling tube to the section already installed using the  $\frac{1}{2}$  inch conduit fitting. Make sure that the holes on both sections of the air inlet sampling tube are lined up and facing into the airflow.
- For tubes longer than the width of the duct, the tube should extend out of the opposite side of the duct. Drill a  $\frac{3}{4}$  inch hole in the duct opposite the hole already cut for the sampling tube. Ensure that the sampling tube is angled downward from the duct smoke detector to allow for moisture drainage away from the detector. The sampling tube should be angled at least  $\frac{1}{4}$  inch downward for every 12 inch of duct width per **Figure 4**. There should be 10 to 12 holes spaced as evenly as possible across the width of the duct. If there are more than 2 holes in the section of the tube extending out of the duct, select a shorter tube using **Table 1**. Otherwise, trim the

tube to leave approximately 1 to 2 inches extending outside the duct. Plug the end with the end cap and tape closed any holes in the protruding section of tube. Be sure to seal the duct where the tube protrudes.

**FIGURE 4.**



H0215-00

**NOTE:** Air currents inside the duct may cause excessive vibration, especially when the longer sampling tubes are used. In these cases, a 3 inch floor flange (available at most plumbing supply stores) may be used to fasten the sampling tube to the other side of the duct. When using the flange/connector mounting technique, drill a 1 to  $1\frac{1}{4}$  inch hole where the flange will be used.

### [6.3] MODIFICATIONS OF SAMPLING TUBES

There may be applications where duct widths are not what is specified for the installation. In such cases, it is permissible to modify a sampling tube that is longer than necessary to span the duct width.

Use a 0.193 inch diameter (#10) drill and add the appropriate number of holes so that the total number of holes exposed to the air flow in the duct is 10 to 12. Space the additional holes as evenly as possible over the length of the tube.

**NOTE:** This procedure should only be used as a temporary fix and is not intended as a substitute for ordering the correct length tubes.

### [6.4] REMOTE SAMPLING TUBE INSTALLATION

The detector arrangement can also incorporate remote mounting of the sampling tube and/or exhaust tube. In this case both the detector, sampling tube and exhaust tube (if included) should be rigidly mounted to withstand the pressure and vibrations caused by the air velocity. The location of the detector's sampling tube should be such that there is uniform airflow in the cross section area.

The pressure differential across the sampling and exhaust ports in the detector housing shall be verified to be between 0.01 and 1.11 inches of water. Do so by measuring the pressure difference between the inlet and outlet ports on the detector housing using a manometer as described in **Section 7.1**.

## [7] MEASUREMENT TESTS

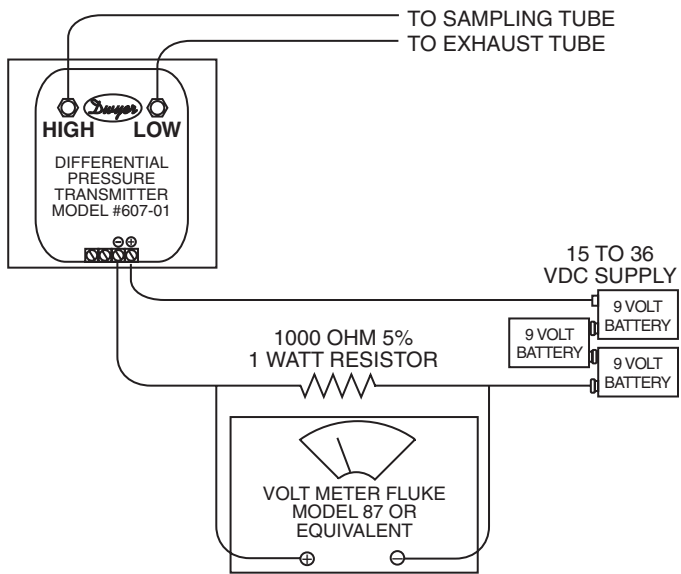
### [7.1] AIR FLOW

The DSD120 is designed to operate over an extended air speed range of 100 to 4000 FPM. To verify sufficient sampling of ducted air, turn the air handler on and use a manometer to measure the differential pressure between the two sampling tubes. The differential pressure should measure at least 0.01 inches of water and no more than 1.11 inches of water. Because most commercially available manometers cannot accurately measure very low pressure differentials, applications with less than 500 FPM of air speed may require one of the following: 1) the use of a current-sourcing pressure transmitter (Dwyer Series 607) per **Section 7.2**, or 2) the use of aerosol smoke per **section 11.4.2**.

### [7.2] LOW FLOW AIR FLOW TEST USING DWYER SERIES 607 DIFFERENTIAL PRESSURE TRANSMITTER

Verify the air speed of the duct using an anemometer. Air speed must be at least 100 FPM. Wire the Dwyer transmitter as shown in **Figure 5**. Connect the leads of the meter to either side of the 1000Ω resistor. Allow unit to warm up for 15 seconds. With both HIGH and LOW pressure ports open to ambient air, measure and record the voltage drop across the 1000Ω resistor (measurement 1), 4.00 volts is typical. Using flexible tubing and rubber stoppers, connect the HIGH side of the transmitter to the sampling tube of the duct smoke detector housing, and the LOW side of the transmitter to the exhaust tube of the duct smoke detector housing. Measure and record the voltage drop across the 1000Ω resistor (measurement 2). Subtract the voltage recorded in measurement 1 from the voltage recorded in measurement 2. If the difference is greater than 0.15 volts, there is enough air flow through the duct smoke detector for proper operation.

**FIGURE 5. PROCEDURE FOR VERIFYING AIR FLOW LESS THAN 500 FPM:**



H0163-00GS

**[8] FIELD WIRING INSTALLATION GUIDELINES**

All wiring must be installed in compliance with the National Electrical Code and the local codes having jurisdiction. Proper wire gauges should be used. The conductors used to connect smoke detectors to control panels and accessory devices should be color-coded to prevent wiring mistakes. Improper connections can prevent a system from responding properly in the event of a fire.

For signal wiring, (wiring between interconnected detectors or from detectors to auxiliary devices), it is recommended that single conductor wire be no smaller than 18 AWG (0.82 mm<sup>2</sup>).

Smoke detectors and alarm system control panels have specifications for allowable loop resistance. Consult the control panel manufacturer's specifications for the total loop resistance allowed for the particular control panel being used before wiring the detector loop.

**[8.1] WIRING INSTRUCTIONS**

The DSD120 detector is designed for easy wiring. The housing provides a terminal strip with clamping plates. See Figure 6 on page 4 for system wiring.

**\*Trouble is indicated when the Supervisory Relay, switches state-Terminals 3 and 14 are open in a Trouble Condition**

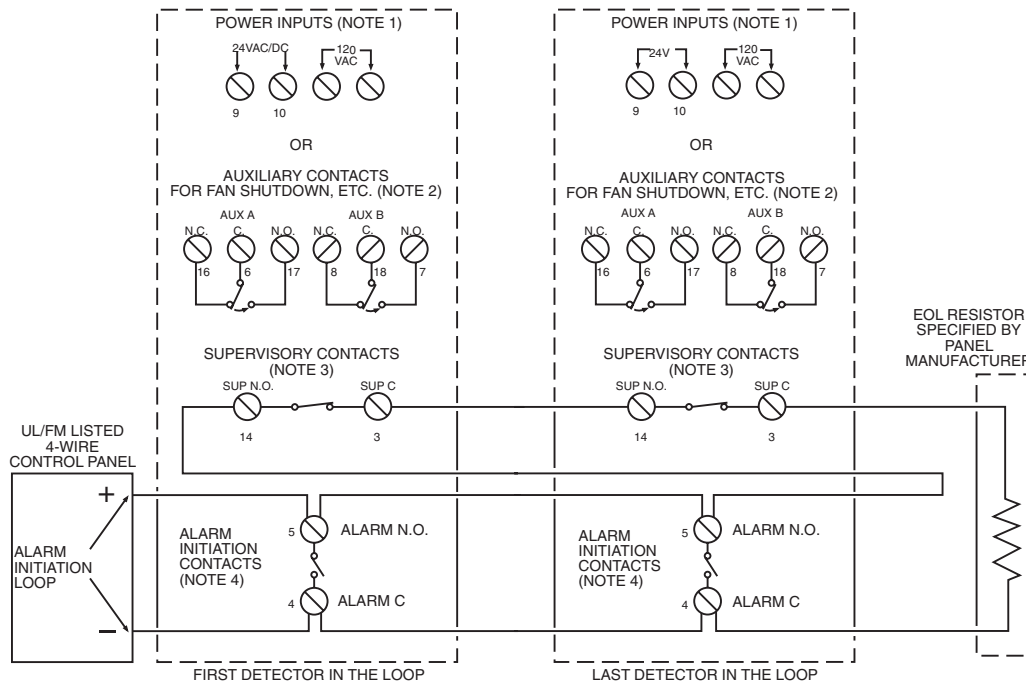
**Causes of a Trouble Condition may be:**

- Unit loses Power
- Cover Tamper Feature times out
- When in "Standby" mode, the product goes into "Cover Tamper Violation" if the cover has been removed or improperly replaced and remains so for at least 7 minutes. As soon as the cover is properly reseated, the product reverts to "Standby" automatically.

**FIGURE 6. SYSTEM WIRING DIAGRAM FOR 4-WIRE DUCT SMOKE DETECTORS:**



Do not loop wire under terminals when wiring detectors. Break wire runs to provide system supervision of connections.



H0558-07

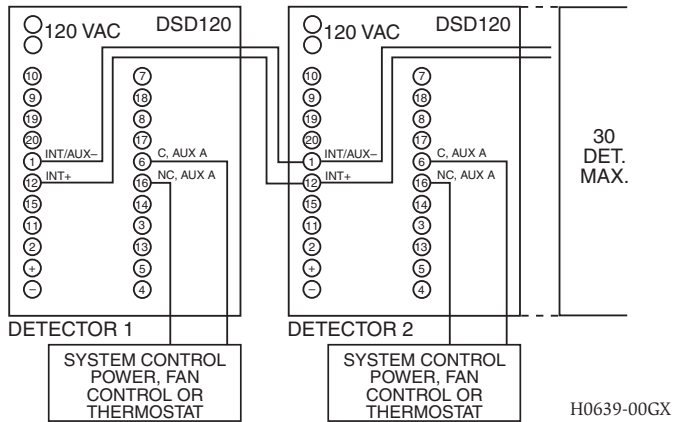
**NOTE 1:** 24V Power Inputs accept 24VDC of either polarity or 24VAC 50-60Hz. 120VAC Power Inputs accept only 120VAC 50-60Hz. Connect power source to appropriate terminals of each detector. See specifications for additional power supply information.

**NOTE 2:** Auxiliary contacts shown in standby position. Contacts switch during alarm as indicated by arrows. Auxiliary contacts are not to be used for connection to the control panel. See specifications for contact ratings.

**NOTE 3:** Supervisory contacts shown in standby position. Open contacts indicate a trouble condition to the panel. See specifications for contact ratings.

**NOTE 4:** Alarm Initiation contacts shown in standby position. Closed contacts indicate an alarm condition to the panel. See specifications for contact ratings.

**FIGURE 7. MULTIPLE FAN SHUTDOWN  
(INTERCONNECTION OF DSD120'S):**



**[9] DETECTOR STATUS INDICATION**

Detector Status is indicated by the sensor LEDs. Refer to Table 3 on page 7 for more details.

Note: The power board contains a diagnostic status indicator LED. However, this LED is not visible under normal operating circumstances.

**[10] INTERCONNECTION (MULTIPLE FAN SHUT DOWN)**

When using the interconnect feature, an alarm from an initiating device will switch the Aux Relays on the other devices interconnected.

**[10.1] IMPORTANT INTERCONNECTION NOTES:**

- When using the interconnect feature, all interconnected units must be powered using the same independent supply.
- Polarity must be maintained throughout the interconnect wiring. Connect the INT+ terminal on unit 1 to the INT+ terminal on unit 2 and so on. Similarly, connect the INT/AUX- terminal on unit 1 to the INT/AUX- terminal on unit 2 and so on.
- Up to 30 DSD120 units may be interconnected.

NOTE: Alarm can be reset only at the initiating device and not at the devices interconnected.

**[11] VERIFICATION OF OPERATION**

**[11.1] POWERING THE UNIT**

Apply 24 VDC power to 9 and 10 terminals on the power board or apply 120VAC on terminals named 120VAC. See Figure 7 and electrical specifications for details.

**[11.2] PERFORM DETECTOR CHECK**

VERIFY STANDBY AND TROUBLE TEST per Table 3 on page 7. The use of a remote accessory for visible indication of power and alarm is recommended.

**[11.3] SENSITIVITY VERIFICATION**

The sensitivity of the sensor is confirmed to be operating within its allowable range each time the sensor LEDs blink green every 5 seconds. Note in a maintenance condition, the sensor LEDs will blink red every 5 seconds as depicted in Table 3 on page 7. The maintenance condition indicates that the sensor is operating outside its original factory preset sensitivity and shall be cleaned or replaced. Replacement 2D51A sensors are available as a separate item. See Section 9 for reference. This is a valid UL test.

**[11.4] DETECTOR TESTING AND MAINTENANCE PROCEDURES**

Notify the proper authorities that the smoke detector system is undergoing maintenance, and that the system will temporarily be out of service. Disable the zone or system undergoing maintenance to prevent unwanted alarms and possible dispatch of the fire department.

**[11.4.1] SMOKE RESPONSE TESTS**

Option 1: Use smoke test port as described in Table 2.

Option 2: To determine if smoke is capable of entering the sensing chamber, visually identify any obstructions. Plug the exhaust and sampling tube holes to prevent ducted air from carrying smoke away from the detector head, then blow smoke such as cotton wick, or punk directly at the head to cause an alarm. REMEMBER TO REMOVE THE PLUGS AFTER THIS TEST, OR THE DETECTOR WILL NOT FUNCTION PROPERLY.

**TABLE 2.**

ALARM TEST OPTIONS	TEST METHOD	DETECTOR RESET
Test/Reset Button	Press and hold test/reset button for at least 7 seconds	Press and release the test/reset button
Magnet Test (M02-04-00)	Place magnet on sensor cover in designated location for 5 seconds	Press and release the test/reset button
Remote Test Accessory	Red LED on sensor and accessory will latch on: verify control panel alarm status and execution of all intended auxiliary functions (i.e. fan shutdown, damper control, etc.)	Reset at accessory, at system control panel, quick press and release the test/reset button
Smoke Test Port	1. Put detector into Speed-Up Test mode	Press and release the test/reset button
	a. Press and hold Test/Reset button for 2 to 7 seconds	
	b. When in Speed-Up Test mode sensor LEDs will alternately flash Red and Green	
	2. Lift tethered plug sealing the smoke test port via pull tab	
3. Spray canned smoke into the test port		
4. After test complete, tethered plug MUST be reinserted		

**[11.4.2] SMOKE ENTRY USING AEROSOL SMOKE**

This test is intended for low-flow systems (100-500 FPM). If the air speed is greater than 500 FPM, use a conventional manometer to measure differential pressure between the sampling tubes, as described in Section 7.1.

Drill a 1/4 inch hole 3 feet upstream from the duct smoke detector. With the air handler on, measure the air velocity with an anemometer. Air speed must be at least 100 FPM. Spray aerosol smoke\* into the duct through the 1/4 inch hole for five seconds. Wait two minutes for the duct smoke detector to alarm. If the duct smoke detector alarms, air is flowing through the detector. Remove the duct smoke detector cover and blow out the residual aerosol smoke from the chamber and reset the duct smoke detector. Use duct tape to seal the aerosol smoke entry hole.

\*Aerosol smoke can be purchased from Home Safeguard Industries at home-safeguard.com, model 25S Smoke Detector Tester, and Chekkit Smoke Detector Tester model CHEK02 and CHEK06 available from SDI. When used properly, the canned smoke agent will cause the smoke detector to go into alarm. Refer to the manufacturer's published instructions for proper use of the canned smoke agent.

**CAUTION**

Canned aerosol simulated smoke (canned smoke agent) formulas will vary by manufacturer. Misuse or overuse of these products may have long term adverse effects on the smoke detector. Consult the canned smoke agent manufacturer's published instructions for any further warnings or caution statements.

**[11.5] INSTALL THE COVER**

Install the covers making sure that the cover fits into the base groove. Tighten the seven screws that are captured in the covers.

**[11.6] DUCT CLEARING**

After an ALARM event occurs, the unit may be reset by pressing the RESET pushbutton. If the duct is not clear of smoke, the AUX relay will open for 20 seconds, to allow the fans to run and clear the duct of smoke. If the smoke has cleared the unit will go into STANDBY, otherwise the unit will remain in ALARM.

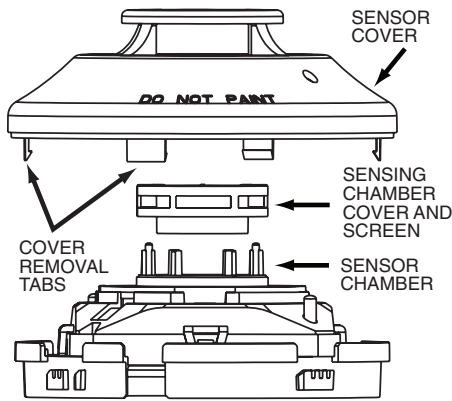
**[12] DETECTOR CLEANING PROCEDURES**

Notify the proper authorities that the smoke detector system is undergoing maintenance, and that the system will temporarily be out of service. Disable the zone or system undergoing maintenance to prevent unwanted alarms and possible dispatch of the fire department.

**[12.1] DETECTOR SENSOR**

1. Remove the sensor to be cleaned from the system.
2. Remove the sensor cover by pulling outward on each of the four removal tabs that hold the cover in place. See **Figure 9**.
3. Vacuum the screen carefully without removing it. If further cleaning is required continue with Step 4, otherwise skip to Step 7.
4. Remove the chamber cover/screen assembly by pulling it straight out.
5. Use a vacuum cleaner or compressed air to remove dust and debris from the sensing chamber.
6. Reinstall the chamber cover/screen assembly by sliding the edge over the sensing chamber. Turn until it is firmly in place.
7. Replace the cover using the holes for the LEDs for alignment and then gently pushing it until it locks into place.
8. Reinstall the detector.

**FIGURE 9. DETECTOR SENSOR EXPLODED VIEW:**



C1009-00

**[12.2] REINSTALLATION**

1. Reinstall the detector in its housing.
2. Restore system power.
3. Perform Detector Check, Section 11.2.
4. Notify the proper authorities testing has been completed and the smoke detector system is back in operation.

NOTICE: If any unitary packaged air conditioning units are run during the drywall installation phase of any building under construction to accelerate the drying of joint compound, the subsequent sanding of those drywall joints and resulting dust may compromise the sensor heads in duct smoke detectors. To avoid this condition it is recommended that the sensor heads be removed during the construction phase.

**[13] SENSOR REPLACEMENT (PART NO. 2D51A)**

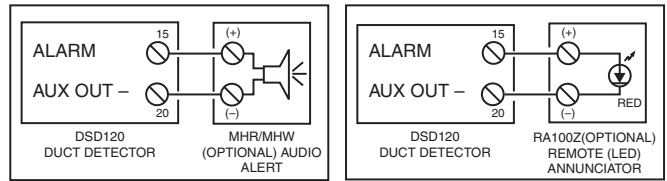
1. Remove the sensor head by rotating counterclockwise.
2. Pull gently to remove it.
3. To replace the sensor head, align the mounting features and rotate clockwise into place.

**[14] OPTIONAL ACCESSORIES**

**[14.1] RTS151/RTS151KEY REMOTE TEST STATION**

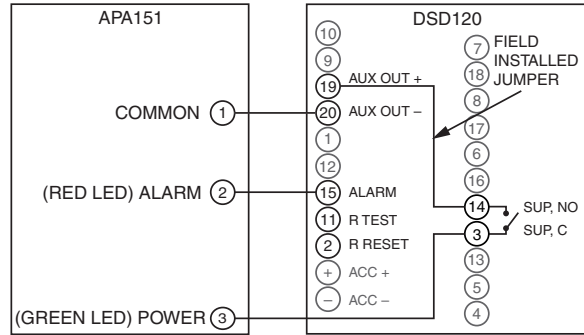
The RTS151/RTS151KEY Remote Test Station facilitates test of the alarm capability of the duct smoke detector as indicated in the RTS151/RTS151KEY manual. The DSD120 duct smoke detector can be reset by the RTS151/RTS151KEY. To install the RTS151/RTS151KEY, connect the device as shown in **Figure 12**; wire runs must be limited to 25 ohms or less per interconnecting wire. If a system control panel is used, the panel itself may require testing.

**FIGURE 10. WIRING DIAGRAMS FOR OPTIONAL ACCESSORIES:**



H0641-00GX

**FIGURE 11. WIRING DIAGRAM FOR DSD120 TO APA151:**

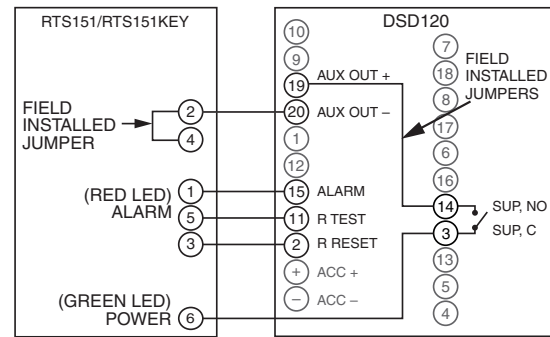


NOTE: WIRING DIAGRAM SHOWN IS FOR DSD120 4-WIRE DUCT SMOKE DETECTOR SYSTEM EQUIPPED WITHOUT A CONTROL PANEL.

NOTE: A TROUBLE CONDITION IS INDICATED BY LOSS OF GREEN LED

H0642-00GX

**FIGURE 12. WIRING DIAGRAM FOR DSD120 TO RTS151/RTS151KEY:**



FOR RTS151KEY ONLY WITHOUT A CONTROL PANEL

H0643-00GX

**TABLE 3. DETECTOR STATUS INDICATION**

DETECTOR STATE	SENSOR LED	POWER BOARD LED	COMMENTS	RELAY STATES
Power Up	Red Blink every 5 seconds	Alternating Green/ Amber Blink every 1 second	Initialization completes in approximately 30 sec	Supervisory relay: Terminals 3 and 14 are closed. Alarm Relay: Terminals 4 and 5 are open
				Aux Relay does not switch states: Terminals 6 and 16 are closed; Terminals 8 and 18 are closed
Standby	Green Blink every 5 seconds	Green Blink every 5 seconds		Supervisory relay: Terminals 3 and 14 are closed. Alarm Relay: Terminals 4 and 5 are open
				Aux Relay does not switch states: Terminals 6 and 16 are closed; Terminals 8 and 18 are closed
Maintenance	Red Blink every 5 seconds	Amber Blink every 5 seconds	The 2D51A sensor is outside its UL approved sensitivity limits and needs to be cleaned or replaced.	Supervisory relay: Terminals 3 and 14 are closed. Alarm Relay: Terminals 4 and 5 are open
				Aux Relay does not switch states: Terminals 6 and 16 are closed; Terminals 8 and 18 are closed
Speed-Up	Alternating Red/ Green Blink every 0.5 seconds	Green Blink every 0.5 seconds	Alternating red/green blink pattern exists until unit either enters Alarm or reverts to Standby (within approximately 60 seconds).	Supervisory relay: Terminals 3 and 14 are closed. Alarm Relay: Terminals 4 and 5 are open
				Aux Relay does not switch states: Terminals 6 and 16 are closed; Terminals 8 and 18 are closed
Trouble	Red Blink every 5 seconds	Amber Solid		Supervisory relay: Terminals 3 and 14 are open. Alarm Relay: Terminals 4 and 5 are open
				Aux Relay does not switch states
Cover Tamper Violation	Red Blink every 5 seconds	Amber Solid	When in “Standby” mode, the product goes into “Cover Tamper Violation” if the cover has been removed or improperly replaced and remains so for at least 7 minutes. As soon as the cover is properly reseated, the product reverts to “Standby” automatically.	Supervisory relay: Terminals 3 and 14 are open. Alarm Relay: Terminals 4 and 5 are open. Aux Relay does not switch states
Communication Error	Off	Amber Solid	Sensor LED state cannot be guaranteed since there is a communication error.	Supervisory relay: Terminals 3 and 14 are open. Alarm Relay: Terminals 4 and 5 are open
				Aux Relay does not switch states
Alarm	Red Solid	Red Solid		Supervisory relay: Terminals 3 and 14 are closed Alarm Relay: Terminals 4 and 5 are closed
				Aux Relay switches states: Terminals 6 and 16 are open; Terminals 8 and 18 are open
Unit Loses Power	Off	Off		Supervisory relay: Terminals 3 and 14 are open. Alarm Relay: Terminals 4 and 5 are open
				Aux Relay does not switch states

NOTE: Power Board LED is not visible unless the power board cover is removed. If any other visual indication is noted contact technical support at 1-800-561-5611.

## Please refer to insert for the Limitations of Fire Alarm Systems

### THREE-YEAR LIMITED WARRANTY

Greystone Energy warrants its enclosed product to be free from defects in materials and workmanship under normal use and service for a period of three years from date of manufacture. Greystone Energy makes no other express warranty for the enclosed product. No agent, representative, dealer, or employee of the Company has the authority to increase or alter the obligations or limitations of this Warranty. The Company's obligation of this Warranty shall be limited to the replacement of any part of the product which is found to be defective in materials or workmanship under normal use and service during the three year period commencing with the date of manufacture. After phoning Greystone Energy's toll free number 1-800-561-5611 for a Return Authorization number, send defective units postage prepaid to: 150 English Drive, Moncton, N.B. Canada E1E 4G7. Please

include a note describing the malfunction and suspected cause of failure. The Company shall not be obligated to replace units which are found to be defective because of damage, unreasonable use, modifications, or alterations occurring after the date of manufacture. In no case shall the Company be liable for any consequential or incidental damages for breach of this or any other Warranty, expressed or implied whatsoever, even if the loss or damage is caused by the Company's negligence or fault. Some states do not allow the exclusion or limitation of incidental or consequential damages, so the above limitation or exclusion may not apply to you. This Warranty gives you specific legal rights, and you may also have other rights which vary from state to state.