

⚡ WARNING ⚡

- **Electric Shock Hazard, Use Caution**
- Disconnect and lock out power before installation
- Follow national and local electrical codes
- Read and understand these instructions before installing
- Installation only by qualified electrical personnel
- Do not rely on this device to indicate line power
- Only install this device on insulated conductors
- Only install on 600 Vac maximum conductors
- Do not use this device for life-safety applications
- Do not install in hazardous or classified locations
- Install this product in a suitable electrical enclosure
- **Failure to follow these instructions will result in death or serious injury.**

Specifications

Current Setpoint	Fixed at 0.5 Amps or less
Maximum Input Current . . .	100 Amps continuous
Sensor Power	Self-powered
Output Type	Solid-state mosfet
Output Switch Action	Normally open
Output Switch Ratings	30 Vac/dc, 500 mA maximum
Von at 24 Vdc at 500 mA . . .	< 50 mV
Frequency	50/60 Hz
Response Time	200 mS typical
Insulation Class	600 Vac, insulated conductors
Operating Temperature	-15 to 60 °C (5 to 140 °F)
Operating Humidity	5 to 90 %RH, non-condensing
Terminal Block	14 to 22 AWG
Dimensions	1.9 x 1.93 x 0.83 in (48 x 49 x 21 mm)
Sensor Aperture	0.45 in (11.4 mm)
Enclosure Material	ABS/PC, UL94 V-0
Manufacturing	ISO 9001 Certified
Agency Approvals	cULus Listed

Operation

The CS-GnG-100 current switch monitors line current for electrical loads such as pumps, conveyors, lighting, heaters or fans and closes the output contacts when the trip point is exceeded. The trip point is factory set to 0.5 Amps to provide Go/No Go status operation.

The sensor requires no external power as it is totally powered by induction from the AC line being monitored. The output switch is normally open and when the input current exceeds the trip setpoint of 0.5 Amps the switch closes to provide an on/off digital signal to the controller.

Installation

- Read all warnings before beginning
- Ensure the selected device has the correct ratings
- Disconnect and lock out power
- Mount the sensor with two screws through the base
- Place the monitored conductor through the sensor hole
- Wire the output to the controller (not polarity sensitive)
- Reconnect the power

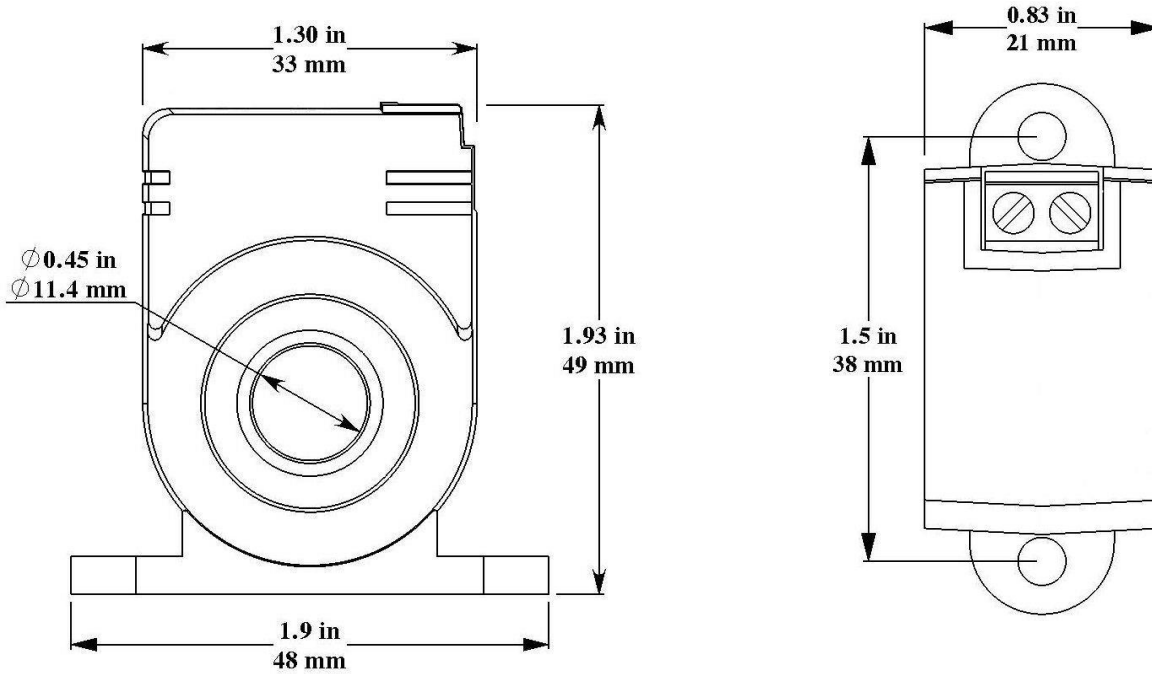
Applications

For applications with load currents exceeding the sensor current range use an external CT to reduce the current to an acceptable value. For example, to monitor a 200 Amp load current, use a 200A:5A CT and wrap the CT secondary through the CS-GnG-100 four times so the sensor actually only sees 20 Amps when the load current is 200 Amps.

For applications with very small load currents (such as less than 1 Amp), wrap the monitored conductor through the sensor aperture several times to increase the current measured by the sensor. For example, to monitor a 0-1 Amp load with a CS-GnG-100, wrap the conductor through the sensor aperture 5 times so the sensor actually sees 0-5 Amps.

For any application with multiple wraps, note that the CS-GnG-100 maximum current rating must be divided by the number of wraps. For example, with one wrap the maximum current is 100 Amps, with 5 wraps the maximum current is 100/5 = 20 Amps. Ensure the load current is < 20 Amps or the device may overheat and be damaged.

Dimensions



Wiring

