



GREYSTONE ENERGY SYSTEMS INC

MINI-CURRENT SWITCH CS-GnG-100

The CS Series current switch monitors line current for electrical loads such as pumps, conveyors, lighting, heaters or fans and closes the output contacts when the trip point is exceeded. The CS-GnG-100 has a factory set trip point of 0.5 Amps to provide Go/No Go status operation.

The sensor requires no external power as it is totally powered by induction from the AC line being monitored. The switch output is normally open and when the input current exceeds the trip setpoint the switch closes to provide an on/off digital signal to the controller

SPECIFICATION:

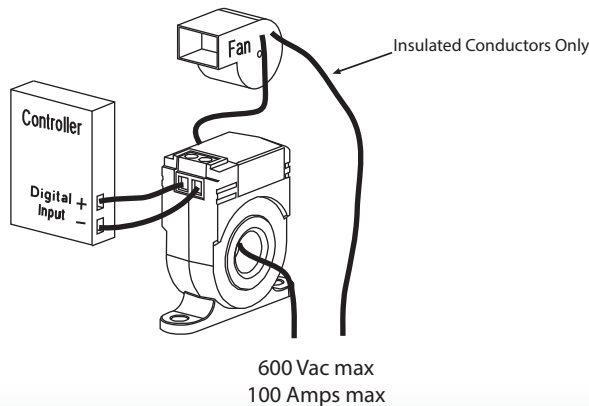
Current Setpoint	Fixed at 0.5 Amps or less
Maximum Input Current	100 Amps continuous
Sensor Power	Self-powered
Output Type	Solid-state mosfet
Output Switch Action	Normally open
Output Switch Ratings	30 Vac/dc, 500 mA Max.
Von @ 24 Vdc at 500mA	< 50 mV
Frequency	50/60 Hz
Response Time	200 mS Typical
Insulation Class	600 Vac, Insulated conductors
Operating Temperature	-15 to 60 °C (5 to 140 °F)
Operating Humidity	5 to 90% RH non-condensing
Terminal Block	14 to 22 AWG
Dimensions	48 x 49 x 21 mm
	1.9 x 1.93 x 0.83 in)
Sensor Aperture	11.4 mm (0.45 in)
Enclosure Material	ABS/PC, UL94 V-0
Agency Approvals	cULus Listed

TYPICAL INSTALLATION:

For complete installation and wiring details, please refer to the product installation instructions.

The CS-GnG-100 provides mounting tabs to secure the device inside a motor control panel using (2) # screws.

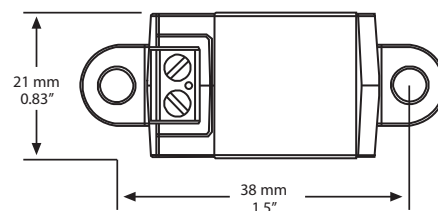
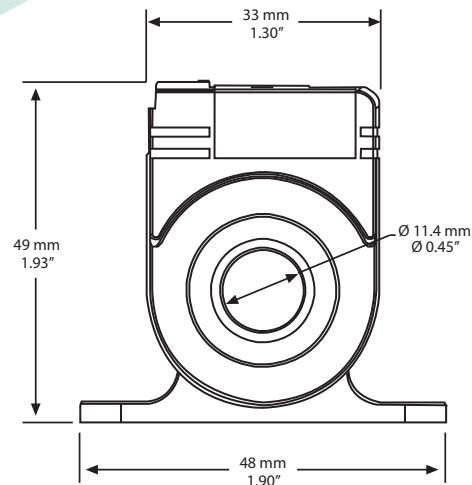
The sensor has a 2 wire connection to the Building Automation System.



PRODUCT ORDERING INFORMATION:

CS-GnG-100

Mini Current Switch Go/ No Go



Greystone Energy Systems, Inc.
150 English Drive, Moncton, NB
Canada E1E 4G7

(506) 853-3057 Fax: (506) 853-6014
North America: 1-800-561-5611
e-mail: mail@greystoneenergy.com
www.greystoneenergy.com

