



GREYSTONE ENERGY SYSTEMS INC

MINI CURRENT SWITCH CS-610-75

The CS-610-75 series current switch monitors line current for electrical loads such as pumps, conveyors, lighting, heaters or fans and closes the output contacts when the trip point is exceeded. The CS-610-75 has a trip point that is adjustable between 0.75 to 75 Amps by rotating the adjustment pot. A LED illuminates when trip point setting is reached.

The sensor requires no external power as it is totally powered by induction from the AC line being monitored. The switch output is normally open and when the input current exceeds the trip setpoint the switch closes to provide an on/off digital signal to the controller.

SPECIFICATION:

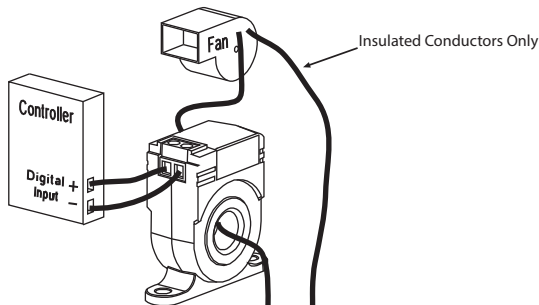
- Current SetpointAdjustable - 0.75 to 75 Amps
- Maximum Input Current75 Amps continuous
- Sensor PowerSelf-powered
- Output TypeSolid-state mosfet
- Output Switch ActionNormally open
- IndicationIlluminated status LED
- Output Switch Ratings30 Vac/dc, 500 mA Max.
- Von @ 24 Vdc at 500mA< 50 mV
- Frequency50/60 Hz
- Response Time200 mS Typical
- Insulation Class600 Vac, Insulated conductors
- Operating Temperature-15 to 60 °C (5 to 140 °F)
- Operating Humidity5 to 90% RH non-condensing
- Wiring ConnectionsScrew terminal block (14 to 22 AWG)
- Terminal Torque Rating0.5 Nm
- Dimensions48 x 49 x 21 mm (1.9 x 1.93 x 0.83 in)
- Sensor Aperture11.4 mm (0.45 in)
- Enclosure MaterialABS/PC, UL94 V-0
- Agency ApprovalscULus Listed

TYPICAL INSTALLATION:

For complete installation and wiring details, please refer to the product installation instructions.

The CS-610-75 provides mounting tabs to secure the device inside a motor control panel using (2) # screws.

The sensor has a 2 wire connection to the Building Automation System.



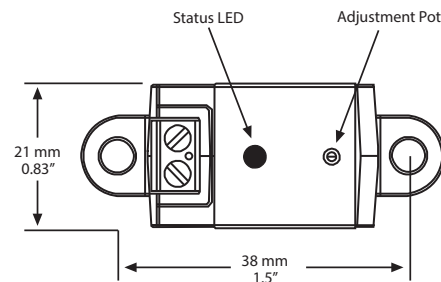
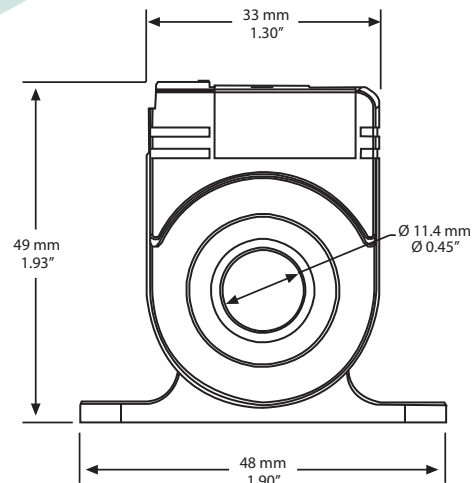
600 Vac max
75 Amps max



PRODUCT ORDERING INFORMATION:

CS-610-75

Mini Current Switch, Adjustable



Greystone Energy Systems, Inc.
150 English Drive, Moncton, NB
Canada E1E 4G7

(506) 853-3057 Fax: (506) 853-6014
North America: 1-800-561-5611
e-mail: mail@greystoneenergy.com
www.greystoneenergy.com

