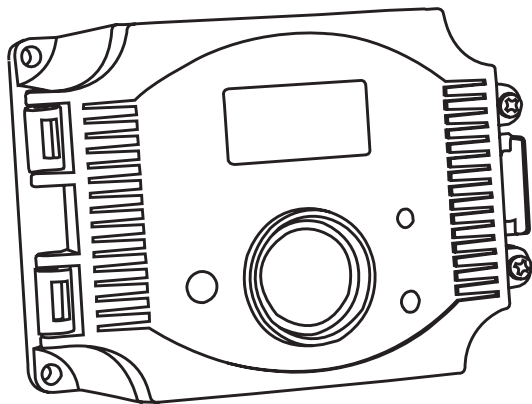




INTRODUCTION

The Carbon Monoxide Transmitter uses an electrochemical sensor to monitor the carbon monoxide level and outputs a field-selectable 4-20 mA or voltage signal. The voltage signal may also be set to 0-5 or 0-10 Vdc. The sensing range and output may be scaled to either 100, 150, 300, 400, or 500 ppm via the on-board menu. A front panel LCD is standard to ensure easy setup and operation.

Other standard features include a back light for the LCD, a front panel test switch, status indication and an alarm buzzer. The test function may also be controlled remotely with a digital input signal. A three-key menu is implemented to allow local configuration of all device parameters.



BEFORE INSTALLATION

Read these instructions carefully before installing and commissioning the CO transmitter. Failure to follow these instructions may result in product damage. Do not use in an explosive or hazardous environment, with combustible or flammable gases, as a safety or emergency stop device or in any other application where failure of the product could result in personal injury. **Take electrostatic discharge precautions during installation and do not exceed the device ratings.**

MOUNTING

The device should be mounted five feet from the floor of the area to be controlled. The four integrated mounting holes facilitate a #10 size screw (not supplied). See Figure 1. Do not mount the sensor near doors, opening windows, supply air diffusers, or any other known air disturbances. Avoid areas with vibrations or rapid temperature changes.

The enclosure has a hinged cover with a latch, open it by pulling slightly on the latch on the right side of the enclosure while pulling on the cover. See Figure 2.

Make all connections as per the "Wiring" instructions on page 2.

Once all connections are complete, latch the cover. Two self-taping screws are provided for extra security, see Figure 3.

HARDWARE SETUP

The only hardware setup required is to select the analog output type with the PCB switch labeled VOLT and mA. Slide the switch to the correct position for the required output signal type, either 4-20 mA or 0-5/10 Vdc.

Figure 1

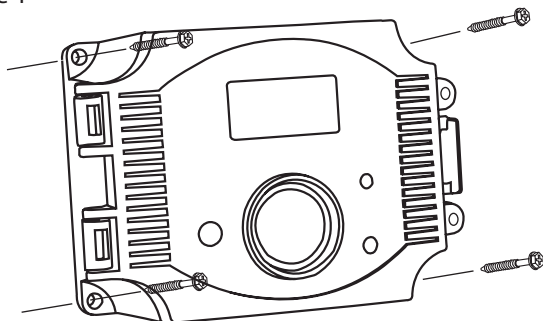


Figure 2

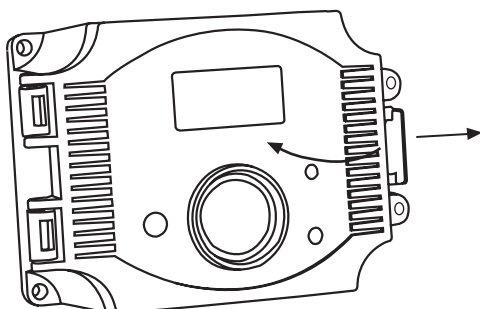
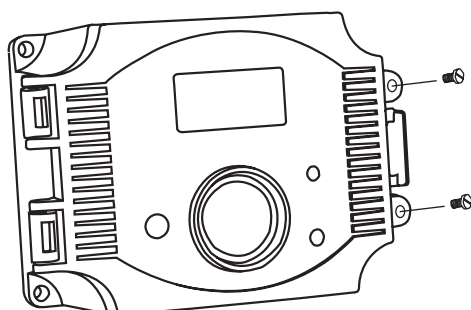


Figure 3



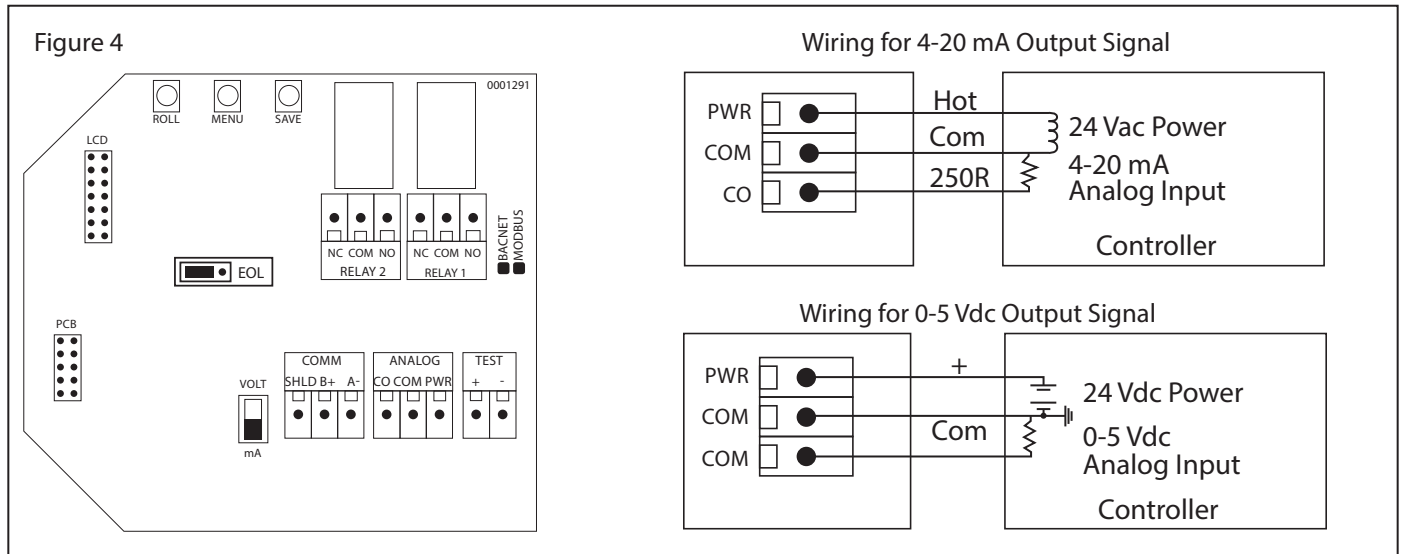
POWER AND ANALOG OUTPUT WIRING

Use 22 AWG shielded wire for all connections and do not locate the device wires in the same conduit with wiring used to supply inductive loads such as motors. Disconnect the power supply before making any connections to prevent electrical shock or equipment damage. Make all connections in accordance with national and local codes.

The wiring configuration depends on the specific model and the installed options. Follow the example wiring diagrams to determine the correct wiring. All models have the same terminal functions. This device has a half-wave type power supply so the power supply common is the same as the output signal common. Therefore, several devices may be connected to one power supply and the output signals all share the same signal common. Use caution when grounding the secondary of an AC transformer or when wiring multiple devices so that the circuit ground point is the same on all devices and the controller.

In general, the transformer should NOT be connected to earth ground when using devices with RS-485 network connections.

This is a 3-wire sourcing device. All models require a 24 Vac/dc power supply to operate. Connect the positive dc voltage or the hot side of the ac voltage to the ANALOG - PWR terminal and the power supply common to the ANALOG - COM terminal. Note that the Analog COM terminal is NOT connected to the Relay COM terminals. The device is reverse voltage protected and will not operate if the power supply is connected backwards.



The linear output signal (either 4-20 mA or 0-5/10 Vdc) is available on the ANALOG - CO terminal. The signal is referenced to the Analog COM terminal. The 4-20 mA output signal operates in the Active mode and does not require a loop power supply. This means the signal current is generated by the transmitter and must not be connected to a powered input or device damage will result. This is the typical operating mode of a “three-wire device”. Ensure the controller Analog Input (AI) matches the CO Transmitter output signal type before power is applied. The current signal has a maximum load that it will drive and the voltage output has a minimum load. Follow the ratings in the Specification section or inaccurate readings may result. The power must be disconnected to change from VOLT to mA. The analog output CO signal is typically connected directly to the Building Automation System (BAS) and used as a control parameter or for logging purposes.

RS-485 NETWORK WIRING

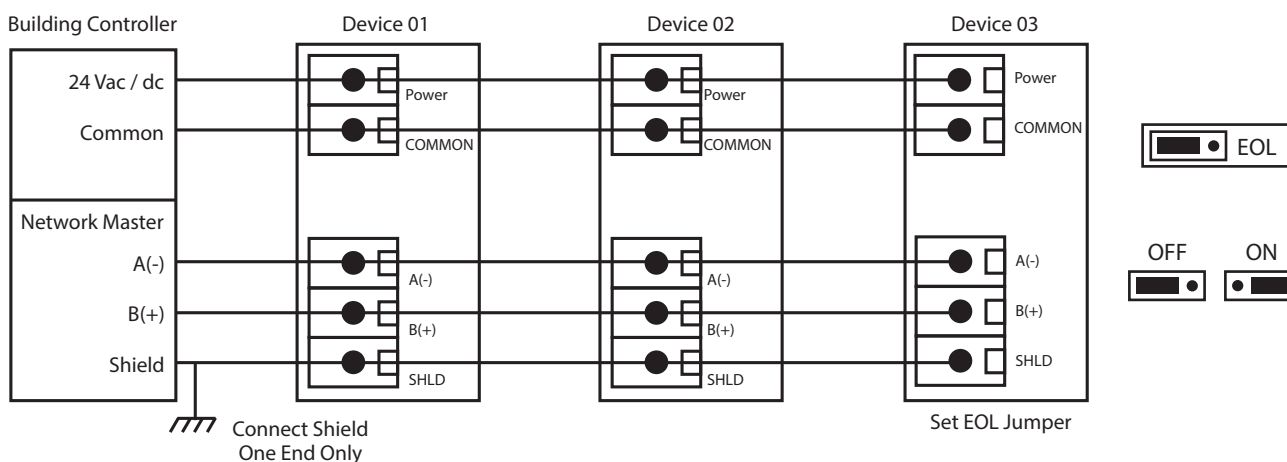
If the transmitter is equipped with RS-485 communication (either Modbus or BACnet®), then the COMM terminals (A-, B+ and SHLD) will also be available.

Connect the RS-485 network with twisted shielded pair to the terminals marked A-, B+ and SHLD. The positive wire connects to B(+) and the negative wire connects to A(-) and the cable shield must be connected to the SHLD (shield) terminal on each device. If the device is installed at either end of the network, an end-of-line (EOL) termination resistor (121 ohm) should be installed in parallel to the A(-) and B(+) terminals. This device includes a network termination jumper and will connect the resistor correctly on the PCB. Simply move the PCB jumper to the EOL position and no external resistor is required. The ground wire of the shielded pair should be connected to earth ground at one end of the network. Do not run bus wiring in the same conduit as line voltage wiring.

A network segment is a single shielded wire loop run between several devices (nodes) in a daisy chain configuration. The total segment length should be less than 4000 feet (1220 meters) and the maximum number of nodes on one segment is 127 for BACnet® or 255 for Modbus. Nodes are any device connected to the loop and include controllers, repeaters and sensors such as the CO Transmitter but do not include

the EOL terminators. To install more devices, or to increase the network length, repeaters will be required for proper communication. The maximum daisy chain length (segment) depends on transmission speed (baud rate), wire size and number of nodes. If communication is slow or unreliable, it may be necessary to wire two daisy chains to the controller with a repeater for each segment.

Figure 5



REMOTE TEST WIRING

The CO transmitter has a Test function that will test the analog output and the alarm relays which is initiated by pressing the front panel TEST switch. The Test function may also be initiated remotely by shorting the TEST + and TEST - terminals. Note that the TEST - terminal is connected to the Analog COM terminal. The TEST terminals should only be connected to a dry-contact digital output from the controller that is either shorted or floating open. Ensure no power is applied to the TEST terminals. The TEST terminals may also be connected to a remote switch. If desired, only one wire need be connected to the TEST + terminal and use the power supply COM as the return signal path.

ALARM RELAY WIRING

If equipped, the alarm relay outputs are available on the NO, COM and NC terminals for each relay. The relay COM terminals are NOT connected to the signal or power supply COM terminal nor to each other. The two relays are completely isolated and have both Normally Open (NO) and Normally Closed (NC) contacts. These signals can be used to directly control alarms, ventilation fans or may be connected to digital inputs of the BAS for status monitoring. Ensure any loads connected to the relays are within the relay ratings in the Specification section.

OPERATION - START-UP

Verify that the CO Transmitter is properly wired according to the wiring diagrams and all connections are tight. Ensure the output switch is in the correct position for either voltage or mA. Apply power to the device.

If the product has a communication option installed it will also display the Modbus address and baud rate (for Modbus) or the MAC ID, device instance and baud rate (for BACnet®).

During the warm-up mode the alarm relays will be set to off, the LED will flash red, all communications are disabled, the key pad is disabled and the analog output will be set to it's minimum value.

OPERATION - NORMAL MODE

In normal operation the sensor will measure the CO level in the surrounding air and output a proportional value on the analog output which is scaled to the default range of 0-300 ppm. The CO reading will also be displayed on the LCD and updated in the communication value. If alarm relays are installed, the present CO reading is compared to the set-points and appropriate action is taken if an alarm condition exists. The status LED on the front cover will be green to indicate normal operation.

OPERATION - ALARM MODE

The CO reading is compared to pre-set set-points for alarms and if they are exceeded the device enters Alarm mode. The alarm reset back to Normal mode can be configured via the menu as either Automatic Reset or Manual Reset.

AUTOMATIC ALARM RESET (DEFAULT)

Two optional relays are used to indicate alarm conditions. The trip point, hysteresis and delay time of each relay can be programmed via the menu. For example, Relay 1 defaults to a 50 ppm trip point, 10 ppm hysteresis and 2 minute delay time. Relay 2 defaults to a 150 ppm trip point, 20 ppm hysteresis and 2 minute delay time. All of these values can be changed via the menu. In the example for Relay 1, a timer is started when the CO level exceeds 50 ppm (the trip level). If the level drops below 50 ppm before 2 minutes (the delay time) has expired then the relay is not activated. If the CO level exceeds 50 ppm for 2 minutes then the relay is activated. The relay will remain activated until the CO level drops below 40 ppm (trip level – hysteresis). This relay can be used to signal a “low alarm”. Relay 2 operates in the same manner and has independently programmable trip point, hysteresis and delay time. This relay can be used to signal a “high alarm”. The LCD will indicate the Alarm mode details and the LED will flash red.

The buzzer alarm defaults to a 150 ppm trip point and 5 minute delay time and can be programmed similarly to the relays. When the trip point is exceeded for a time longer than the delay time, then the buzzer will sound until the CO level falls below the trip point. The buzzer operates independently of the relay alarms and can be disabled via the menu. If enabled, and the device is in Alarm mode, pressing the TEST switch will "silence" the buzzer only. Buzzer silence will only hold until the alarm condition is cleared so the next CO set-point alarm will activate the buzzer again.

MANUAL ALARM RESET

In this case, the alarm relays will activate the same way as described above but will not automatically reset to Normal Mode when the CO level drops below the trip level - hysteresis value. In order to reset the relay alarms to Normal Mode the user must also press the TEST switch on the front cover (or activate the remote TEST input). If the CO level is below the alarm level AND the TEST switch is pressed, then the relay alarms will return to the Normal Mode.

The Manual Reset also applies to the buzzer alarm. If the buzzer alarm is active, pressing the TEST switch will "silence" the buzzer. If the buzzer alarm was active but the CO level has been reduced below the trip point, then the TEST switch must be pressed to reset the buzzer alarm to the Normal Mode.

OPERATION - TEST MODE

The Test mode function is disabled by default, it must be enabled via the menu to operate. To initiate the Test function during normal operation, either press and hold the TEST switch for 1 second or activate it remotely by shorting the TEST + to TEST – (COM). This will cause the Status LED to blink red, the analog output to go to 100% and both relays to activate. The buzzer will also beep once every 15 seconds if enabled and the LCD will indicate the Test mode and the remaining time. The Test function will continue for 5 minutes (default) and then the device will reset to normal operation. The Test function can be canceled by pressing the TEST switch a second time. Test mode cannot be activated if the device is in Fault, Alarm or Re-Cal modes of operation, only in Normal mode. The Test function is useful to verify the output and alarm relay operation and the Test time can be programmed via the menu.

OPERATION - FAULT MODE

The Fault mode function is disabled by default, it must be enabled via the menu to operate. The Fault function will monitor the CO sensor lifetime and indicate when the CO sensor should be replaced. If the device determines that the sensor has reached the end of its useful life and that replacement is necessary it will enter Fault mode. This will cause the Status LED to blink red and the buzzer to beep once every 10 minutes. The LCD will periodically show "Sensor Fault". The Fault mode can be disabled via the menu or enabled at any time. If enabled, and the device is in Fault mode, pressing the TEST switch will "silence" the buzzer due to the Fault alarm only. Buzzer silence due to the Fault alarm will hold until the fault condition is reset via the menu. The buzzer may still activate due to a CO set-point alarm if enabled.

OPERATION - RE-CAL MODE

The Re-Cal mode function is enabled by default, it must be disabled via the menu if it is not required. The Re-Cal function will monitor the device and indicate when the CO sensor should be re-calibrated. If the device determines that the sensor requires re-calibration it will enter Re-Cal mode. This will cause the Status LED to blink red and the buzzer to beep once every 10 minutes. The LCD will periodically show "ReCal Required". If enabled, and the device is in Re-Cal mode, pressing the TEST switch will "silence" the buzzer due to the ReCal alarm only. Buzzer silence due to the ReCal alarm will hold until the ReCal condition is reset via the menu. The buzzer may still activate due to a CO set-point alarm if enabled.

NETWORK COMMUNICATION

Details of the device set-up can be found in the User Menu section. Specific Modbus or BACnet® protocol information is included in a separate document if the communication option is installed on the product.

OPERATION - USER MENU

The device has several parameters that can be configured locally via the User menu using the keypad and LCD. All parameters default to typical values but the installer may want to change some values. In some cases, such as the device network address, the installer **MUST** change the settings before operation. Any changes made are saved in non-volatile memory and are restored in case of a power loss. Only the menu items relevant to the device model will be shown. The menu can be accessed at any time after the warm-up mode and if there is 5 minutes of inactivity the menu will close and normal operation will continue. Note that the TEST switch has no affect when the User menu is in use.

The menu has several items as shown below. To enter the menu, press and release the <MENU> key. This will enter the User menu step 1, pressing the <MENU> key a second time advances to step 2. Each press of the <MENU> key advances the menu item. No values are saved or changed by using the <MENU> key. The <ROLL> key is used to make changes to program variables by scrolling through the available options. Holding the <ROLL> key pressed will scroll through some options at a faster rate. When a value is changed, use the <SAVE> key to save it to memory and advance to the next menu item. The first column below shows what will be displayed on the LCD, including the default value. The following screen examples show the default setting.

<Menu> Press and release the <MENU> key to enter the User Menu.

1. CARBON MONOXIDE RANGE

CO Range
0-300ppm

Press the <ROLL> key to scroll through the available options. The CO sensing range and output scale can be changed to 0-100ppm, 0-150ppm, 0-300ppm, 0-400ppm, or 0-500ppm Press the <SAVE> key to save any change.

<MENU> Press to advance to next menu item

2. BUZZER ALARM

Buzzer
Enable

Use the <ROLL> key to enable or disable the buzzer alarm. When disabled, the buzzer will not sound if the buzzer trip point is exceeded. The buzzer will still beep on startup and will still beep for a fault alarm (if enabled) and ReCal alarm (if enabled). Press <SAVE> key to save the setting.

<MENU> Press to advance to next menu item

Only if **Buzzer** enabled

3. BUZZER TRIP

Buzzer
Trip 150

Use the <ROLL> key to scroll through the available options. The buzzer alarm trip point may be set from 20 to 500 ppm in 10 ppm increments. Press the <SAVE> key to save the setting.

<MENU> Press to advance to next menu item

4. BUZZER DELAY

Buzzer
Del 5Min

Use the <ROLL> key to scroll through the available options. The buzzer delay may be set from 0 to 10 minutes in 1 minute increments. Press <SAVE> to save the setting. The factory default is 5 minutes.

<MENU> Press to advance to next menu item

5. BUZZER TEST

Buzzer
Test OFF

Use the <ROLL> key to toggle the buzzer ON or OFF.

<MENU> Press to advance to next menu item

Only if **Relay 1** installed

6. ALARM TRIP POINT

Relay 1
Trip 50

Use the <ROLL> key to scroll through the available options. The relay 1 alarm trip point may be set from 20 to 500 ppm in 10 ppm increments. Press <SAVE> to save the setting.

<MENU> Press to advance to next menu item

Only if **Relay 1** installed

7. HYSTERESIS

*Relay 1
Hyst 10*

Use the <ROLL> key to scroll through the available options. The relay 1 hysteresis may be set from 10 to 100 ppm in 5 ppm increments. Press <SAVE> to save the setting. Note that the maximum value may be limited by the trip point value.

<MENU> Press to advance to next menu item

8. DELAY

*Relay 1
Del 2Min*

Use the <ROLL> key to scroll through the available options. The relay 1 delay may be set from 0 to 10 minutes in 1 minute increments. Press <SAVE> to save the setting.

<MENU> Press to advance to next menu item

9. DIRECT

*Relay 1
Direct*

Use the <ROLL> key to toggle the available options. Relay 1 operation may be set to Direct or Reverse. Direct operation means the relay is normally not energized and will energize on an alarm condition (the NO/NC PCB destinations are correct). Reverse operation means the relay is normally energized and will de-energize on an alarm condition (the NO/NC PCB designations are reversed). Reverse operation can be used for "Fail Safe" operation as the relay will change state on power loss. Press <SAVE> to save the setting.

<MENU> Press to advance to next menu item

10. TEST

*Relay 1
Test OFF*

Use the <ROLL> key to toggle relay 1 ON or OFF.

<MENU> Press to advance to next menu item

Only if **Relay 2** installed

11. ALARM TRIP POINT

*Relay 2
Trip 150*

Use the <ROLL> key to scroll through the available options. The relay 2 alarm trip point may be set from 20 to 500 ppm in 10 ppm increments. Press <SAVE> to save the setting.

<MENU> Press to advance to next menu item

12. HYSTERESIS

*Relay 2
Hyst 20*

Use the <ROLL> key to scroll through the available options. The relay 2 hysteresis may be set from 10 to 100 ppm in 5 ppm increments. Press <SAVE> to save the setting. Note that the maximum value may be limited by the trip point value.

<MENU> Press to advance to next menu item

13. DELAY

*Relay 2
Del 2Min*

Use the <ROLL> key to scroll through the available options. The relay 2 delay may be set from 0 to 10 minutes in 1 minute increments. Press <SAVE> to save the setting.

<MENU> Press to advance to next menu item

14. DIRECT

*Relay 2
Direct*

Use the <ROLL> key to toggle the available options. Relay 2 operation may be set to Direct or Reverse. Direct operation means the relay is normally not energized and will energize on an alarm condition (the NO/NC PCB designations are correct). Reverse operation means the relay is normally energized and will de-energize on an alarm condition (the NO/NC PCB designations are reverse). Reverse operation can be used for "Fail Safe" operation as the relay will change state on power loss. Press <SAVE> to save the setting.

<MENU> Press to advance to next menu item

Only if **Relay 2** installed

15. TEST

*Relay 2
Test OFF*

Use the <ROLL> key to toggle relay 2 ON or OFF.

<MENU>

Press to advance to next menu item

16. TEST MODE

*TestMode
Disable*

Use the <ROLL> key to enable or disable the Test mode. When disabled, the TEST switch or TEST input will not initiate the test function. When enabled, the TEST switch will initiate the test function. Note that the test mode will only function if the device is operating in the Normal mode, the test function cannot be initiated if any alarm is present. Press <SAVE> to save the setting.

<MENU>

Press to advance to next menu item

Only if **Test Mode** enabled

17. OPERATING TIME

*TestMode
Time 5*

Use the <ROLL> key to scroll through the available options. The test mode operating time may be set from 1 to 15 minutes in 1 minute increments. Press <SAVE> to save the setting. This item sets how long the test mode will operate when the TEST switch is pressed.

<MENU>

Press to advance to next menu item

18. FAULT ALARM

*Fault Md
Disable*

Use the <ROLL> key to enable, disable, or reset. When disabled, the device will not sound the buzzer or provide LCD and status LED indication when the sensor life is exceeded. When enabled, the fault alarm will activate to indicate the sensor life is exceeded. Press <SAVE> to save the setting. The factory default is disabled. If it is set to reset and <SAVE> is pressed, then the fault condition is cleared, the life-time timer is reset and fault mode is set back to its default of disable. It may be enabled again. This can be used if the fault alarm is required and the CO sensor is replaced.

<MENU>

Press to advance to next menu item

Only if **Fault Mode** enabled

19. FAULT MODE TIMER

*Fault Md
Time 3yr*

Use the <ROLL> key to set the fault mode timer to 3, 4, 5 or 6 years. Press <SAVE> to save the setting. If a desired time has already been exceeded, then it cannot be selected.

<MENU>

Press to advance to next menu item

20. RECAL MODE

*ReCal Md
Enable*

Use the <ROLL> key to select enable, disable or reset. When disabled, the device will not sound the buzzer or provide LCD and status LED indication when the sensor requires re-calibration. When enabled, the ReCal alarm will activate to indicate the sensor requires re-calibration. Press <SAVE> to save the setting. If it is set to reset and <SAVE> is pressed, the ReCal condition is cleared, the ReCal timer is reset and ReCal mode is set back to its default of enable. This can be used if the CO sensor is required to be re-calibrated at known intervals.

<MENU>

Press to advance to next menu item

Only if **ReCal Mode** enabled

21. RECAL TIMER

*ReCal Md
Time 1yr*

Use the <ROLL> key to set the ReCal mode timer to 1, 2 or 3 years. The factory default is 1 year. Press <SAVE> to save the setting. This is used to set the CO sensor re-calibration interval.

<MENU>

Press to advance to next menu item

22. ALARM MODE

Alarm Md
Auto

Use the <ROLL> key to set the alarm mode to auto or manual. The setting controls how the relay alarms and the buzzer alarm resets back to normal mode. For the auto setting, the device will reset the alarms automatically once the CO level drops below the set alarm thresholds. For the manual setting, the CO level must be below the alarm thresholds AND the user must press the TEST switch on the device to reset the alarms. Press <SAVE> to save the setting.

<MENU>

Press to advance to next menu item

23. ZERO FILTER

0 Filter
Enable

Use the <ROLL> key to enable or disable the zero filter. When enabled, the device will filter low ppm readings such that 0-5 ppm CO will display and output 0 ppm. When disabled, 0-5 ppm will display and output actual 0-5 ppm. Press <SAVE> to save the setting. The factory default is enable. Note that this should be set to disable when doing a ZERO gas calibration.

<MENU>

Press to advance to next menu item

24. DISPLAY

Display
CO Value

Use the <ROLL> key to toggle the setting to either CO Value or Status. When set to CO value, the actual ppm value of the CO reading will be displayed on the LCD. When set to Status, the PM value will not be displayed only the device operating status. Press <SAVE> to save the setting.

<MENU>

Press to advance to next menu item

25. BACKLIGHT

BackLite
Enable

Use the <ROLL> key to enable or disable the LCD backlight. When enabled the backlight is always on and when disabled it never lights. Press <SAVE> to save the setting.

<MENU>

Press to advance to next menu item

26. VOLTAGE OUTPUT TYPE

Out Type
0-5 Vdc

Use the <ROLL> key to toggle the voltage output type to either 0-5 Vdc or 0-10 Vdc. Press <SAVE> to save the setting. Note that this item is only shown if the PCB switch is in the VOLT position. Also note that the output type can only be changed by disconnecting the power to the unit.

<MENU>

Press to advance to next menu item

27. OUTPUT TEST

Output
Test OFF

Use the <ROLL> key to scroll through the available options. The output and display depends on the output type configuration. For 4-20 mA output type settings are OFF/4/8/12/16/20 mA, for 0-5 Vdc output they are OFF/0/1/2/3/4/5/ Vdc and for 0-10 output they are OFF/2/4/6/8/10 Vdc. This can be used to test the output signal.

<MENU>

Press to advance to next menu item

Only if **Modbus Communication** installed

28. SLAVE ADDRESS

ModBus
Addr 01

Use the <ROLL> key to select a unique slave address from 1-255. Press <SAVE> to save the change. Each device on the network must have a unique address.

<MENU>

Press to advance to next menu item

29. BAUD RATE

BaudRate
9600

Use the <ROLL> key to select a baud rate of 300, 600, 1200, 2400, 4800, 9600 or 19200. Press <SAVE> to save the setting.

<MENU>

Press to advance to next menu item

30. TRANSMISSION MODE

TranMode
RTU

Use the <ROLL> key to toggle between RTU and ASCII modes. Press <SAVE> to save the setting.

<MENU>

Press to advance to next menu item

Only if **Modbus Communication** installed

31. PARITY

Parity
None

Use the <ROLL> key to select a parity value of None, Odd, or Even. Press <SAVE> to save the setting.

<MENU>

Press to advance to next menu item

32. STOP BIT

StopBit
1

Use the <ROLL> key to toggle the stop bit setting between 1 and 2 (for some configuration the value is fixed). Press <SAVE> to save the setting.

<MENU>

Press to advance to next menu item

33. CRC VALUE

CRC Mode
A001

Use the <ROLL> key to set the CRC value to A001 (CRC-16 reverse), 1021 (CITT), 8005 (CRC-16), or 8408 (CITT reverse), then <SAVE> the value.

<MENU>

Press to advance to next menu item

34. SLAVE RESPONSE DELAY

Delay
Minimum

Use the <ROLL> key to change the value from Minimum to 50, 100, 150, 200, 250, 300 or 350mS, then <SAVE> the value (*minimum delay means just more than 3.5 character time delays, 4mA for 9600 baud rate, for example*).

<MENU>

Press to advance to next menu item

Only if **BACnet® Communication** installed

35. MAC ADDRESS

BACnet
Addr 4

Use the <ROLL> key to select a unique network address from 0-127, then press <SAVE> to save the value.

<MENU>

Press to advance to next menu item

36. BAUD RATE

BaudRate
9600

Use the <ROLL> key to select a baud rate of 9600, 19200, 38400 or 76800, then press <SAVE> to save the value.

<MENU>

Press to advance to next menu item

37. EXIT

Menu
Exit

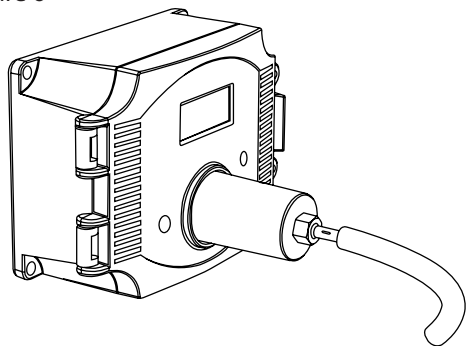
Press <SAVE> to exit the menu and return to normal operation or <MENU> to repeat the menu.

CALIBRATION

The CO transmitter features a cover mounted sensor PCB that is pre-calibrated. This means that the entire sensor PCB can simply be replaced with a new calibrated PCB if desired without having to remove the enclosure and the main processor board. This sensor swap can be completed in seconds. Simply unplug the device ribbon cable connection, remove the old sensor PCB, install the new PCB and reconnect the ribbon cable. There is no need to make any adjustments or apply gas to the transmitter using the sensor swap method. **In this case, the Fault Mode should be reset if it is enabled.**

The device may also be calibrated or verified with the CO gas if required. This requires a field calibration kit consisting of a bottle of gas (250 ppm CO in air for example), a tank pressure regulator with flow restrictor and the necessary tubing with a calibration cap to cover to the sensor. Calibration can be done at 20 to 27°C.

Figure 6



Verification with gas can be done without removing the device cover. Simply apply gas using the calibration cap attached directly to the port on the cover and monitor the output signal or LCD.

The device cover must be opened to perform an actual calibration. In the case, the gas calibration cap attached to the sensor fixture on the cover as before. The sensor must be continuously powered for at least 1/2 hour prior to calibration. Calibrate the sensor first in clean air with no CO gas present. Simply adjust the ZERO pot on the sensor board until 4 mA (or 0 Vdc) output is obtained and the LCD displays

0 ppm. Note that the "0 Filter" menu item should be disabled to set the 0 ppm. The ZERO and SPAN pots are located on the edge of the cover sensor PCB and are clearly marked on the PCB.

Then attach the gas supply. Turn the regulator on/off knob fully off and attach it to the 250 ppm gas bottle and firmly tighten it by hand. Moisten the sponge and squeeze out any excess water. Place the sponge in the cap so that it will not touch the sensor but does not plug the hole in the side of the cap. Attach the cap to the fixture over the sensor. If the gas cap is too loose on the fixtures, simply place a wrap of electrical tape around the cap the tighten. Slowly turn the valve knob on the regulator to let the gas begin flowing.

The regulator will restrict the flow rate to the specified 200 ml/min and the sponge will ensure the gas is in the right humidity range. Wait for 5 minutes and then adjust the SPAN pot on the sensor board until the output and LCD reads 250 ppm. Close the valve on the tank and take a cap off from the sensor. **Calibration is complete. In this case, the ReCal Mode should be reset if it is enabled.**

SPECIFICATIONS

POWER SUPPLY

Power Supply24 Vdc \pm 20% or 24 Vac \pm 10% (non-isolated half-wave rectified)
 Consumption100 mA max (with all options on)
 Protection Circuitry.....Reverse voltage protected, output limited and transient protected
 Output Signal.....4-20 mA active, 0-5 or 0-10 Vdc (selectable)
 Output Drive Capability...**Current:** 450 Ω max
Voltage: 10 K Ω min

ENCLOSURE

LCD Display1 ppm resolution, 35mm W x 15mm H, alpha-numeric
 (1.4" x 0.6")
 Status LEDTwo color (red/green) on front panel
 Test SwitchPerforms I/O tests, front panel and remote connection
 Dimensions127mm W x 101mm H x 65mm D (5" x 4" x 2.55")
 Agency ApprovalsSensor is UL recognized for ANSI/UL-2034 and UL-2075, E240671

BUZZER

Alarm.....85db @ 10 cm
 Trip PointProgrammable 20 to 500 ppm in 10 ppm increments
 DelayProgrammable 0 to 10 minutes in 1 minute increments

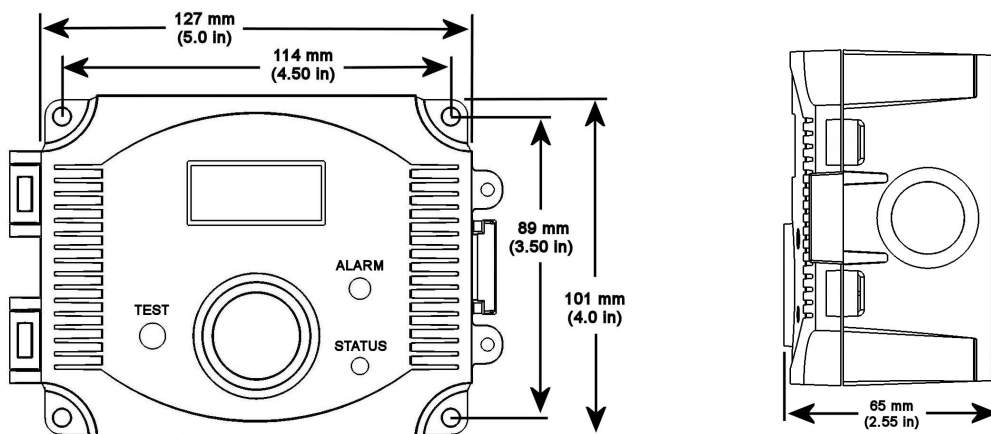
OPTIONAL RELAY

OutputsForm C contacts (NO and NC), 5 Amps @ 250 Vac, 5 Amps @ 30 Vdc
 Relay 1 Trip PointProgrammable 20 to 500 ppm in 10 ppm increments
 Relay 2 Trip PointProgrammable 20 to 500 ppm in 10 ppm increments
 Relay Hysteresis.....Programmable 10 to 100 ppm in 5 ppm increments
 Relay DelayProgrammable 0 to 10 minutes in 1 minute increments

GENERAL

Measurement.....Electrochemical
 Sample MethodDiffusion
 Measurement Range0-100, 150, 300, 400 or 500 ppm (selectable)
 Accuracy \pm 5 ppm or \pm 5% of reading (whichever is greater)
 0 to 50°C (32 to 122°F), 15 to 90 %RH
 Operating Conditions-20 to 50°C (-4 to 122°F), 15 to 90 %RH, 0.9 to 1.1 atm
 Stability<5% signal loss/year
 Response Time<35 seconds for 90% step change
 Typical Area Coverage700 m² (7500 ft²) or 15 m (50 ft) radius
 Wiring Connections.....Screw terminal block (14 to 22 AWG)
 Country of Origin.....Canada

DIMENSIONS



NETWORK SETUP GUIDE

The network setup guide describes the implementation of the BACnet® or Modbus protocol. It is intended to assist control system programmers who may need to add support to their systems to communicate with the device.

BACnet® and Modbus setup guide downloads are available online.



BACnet® PROTOCOL

<https://downloads.greystoneenergy.com/Website%20Documents/CMD/SG-CMDXXXBAC.pdf>



MODBUS PROTOCOL

<https://downloads.greystoneenergy.com/Website%20Documents/CMD/SG-CMDXXXMOD.pdf>