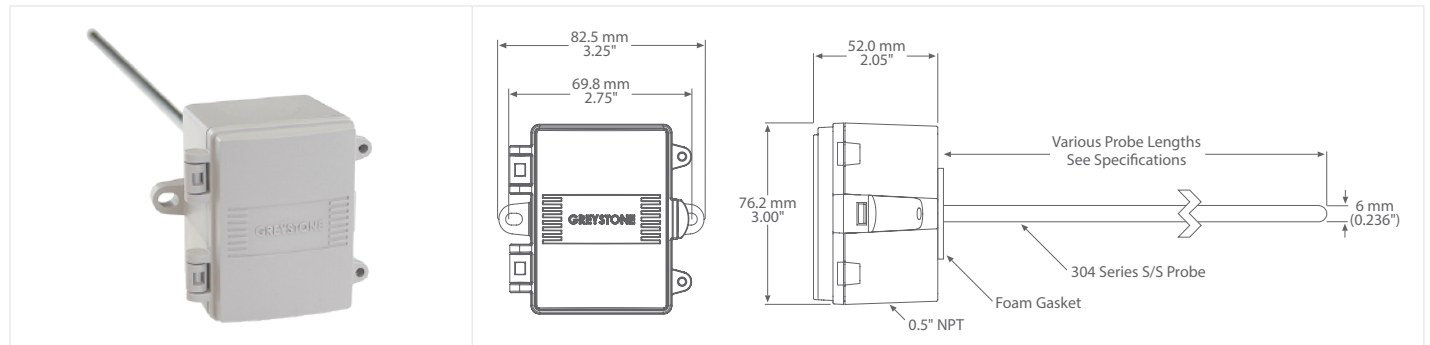




## ALL PURPOSE NETWORK TEMPERATURE SENSOR



### TNAP SERIES

### PRODUCT DESCRIPTION

The all purpose single point network temperature sensor utilizes a precision sensor encapsulated in a 6 mm (0.236") OD, 304 series stainless steel probe and is available in various lengths. All probes provide excellent heat transfer, fast response and resistance to moisture penetration. The transmitter provides a BACnet® or Modbus signal for network connection. A compact ABS enclosure with a hinged and gasketed cover is provided for ease of installation.

### TYPICAL INSTALLATION

**For complete installation and wiring details, please refer to the product installation instructions.**

The duct type probes are installed through a hole in the side of the duct to monitor a single point temperature within the duct. Since the probes are tip sensitive, select a probe length that places the sensor well into the duct. Install the probe in a straight section of duct at a suitable distance downstream from any heating, cooling, or humidification devices.

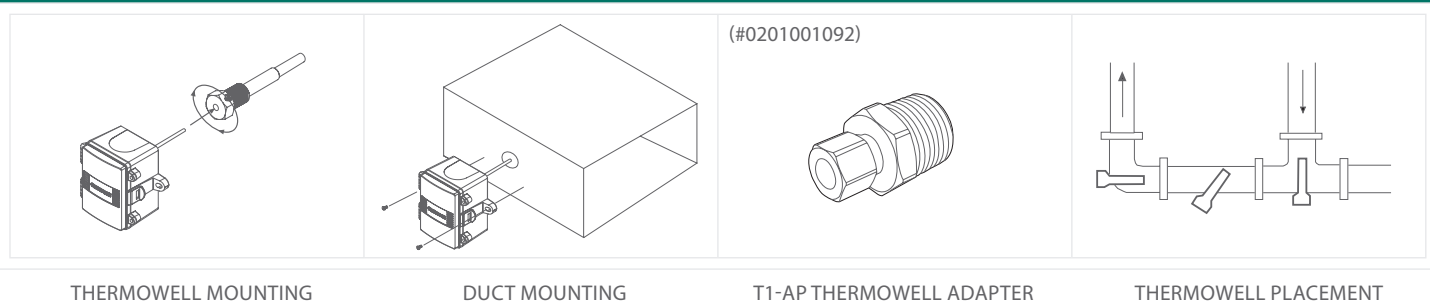
The enclosure provides mounting tabs for ease of installation.

NOTE: For immersion applications, T2 series thermowell is required. When using a T1 series thermowell an adapter will be required (#0201001092).

### SPECIFICATIONS

<b>POWER SUPPLY</b>	<b>BACnet®:</b> 24 Vac/dc ±10% (non-isolated half-wave rectified) <b>Modbus:</b> 24 Vac/dc ±20% (non-isolated half-wave rectified)
<b>CONSUMPTION</b>	<b>BACnet®:</b> 25 mA max @ 24 Vdc <b>Modbus:</b> 10 mA max @ 24 Vdc
<b>OPERATING ENVIRONMENT</b>	-40 to 50°C (-40 to 122°F), 5 to 95 %RH non-condensing
<b>PROBE MATERIAL</b>	304 series stainless steel
<b>PROBE DIAMETER</b>	6 mm (0.236")
<b>STANDARD LENGTHS</b>	50, 100, 150, 200, 300, and 450 mm (2", 4", 6", 8", 12", and 18")
<b>WIRING CONNECTIONS</b>	Screw terminal block (14 to 22 AWG)
<b>ENCLOSURE</b>	<b>A:</b> ABS, UL94-V0, IP65 (NEMA 4X) <b>E:</b> Same as A, with thread adapter (1/2" NPT to M16) and cable gland fitting
<b>COUNTRY OF ORIGIN</b>	Canada
<b>TEMPERATURE</b>	<b>Sensing Element:</b> NTC thermistor <b>Accuracy:</b> ±0.2°C (±0.36°F) @ 0 to 70°C (32 to 158°F) <b>Probe Sensing Range:</b> -40 to 100°C (-40 to 212°F) <b>Resolution:</b> 0.1°C/°F
<b>BACnet® COMMUNICATIONS INTERFACE</b>	<b>Hardware:</b> 2 wire RS-485 <b>Software:</b> Native BACnet® MS/TP protocol <b>Baud Rate:</b> 9600, 19200, 38400, 57600, 76800, or 115200 (auto-detect) <b>Network Address Range:</b> Locally set to 0-127 <b>Serial Configuration:</b> 8N1
<b>MODBUS COMMUNICATIONS INTERFACE</b>	<b>Hardware:</b> 2 wire RS-485 <b>Software:</b> Native Modbus MS/TP protocol (RTU) <b>Baud Rate:</b> 9600, 19200, 38400, 57600, 76800, or 115200 (auto-detect) <b>Network Address Range:</b> Locally set to 1-255 (switch selectable) <b>Parity:</b> None <b>Stop Bits:</b> 1 <b>Error Checking:</b> A001 (CRC-16 reverse)
<b>INPUT VOLTAGE EFFECT</b>	Negligible over specified operating range
<b>PROTECTION CIRCUITRY</b>	Reverse voltage protected and transient protected

### MOUNTING STYLES





## ACCESSORIES - INLCUDED WITH E ENCLOSURE OPTION

		
CABLE GLAND FITTING	THREAD ADAPTER 1/2" NPT TO M16	

### BACnet® COMMUNICATION

BACnet® is a data communication protocol for building automation and control networks. The sensor communicates on a standard 2-wire RS-485 MS/TP network designed to run at speeds from 9600 to 115200 baud over twisted pair wiring.

BACnet® is a registered trademark of ASHRAE. ASHRAE does not endorse, approve or test products for compliance with ASHRAE standards. Compliance of BACnet® listed products to the requirements of ASHRAE Standard 135 is the responsibility of BACnet® International (BI). BTL is a registered trademark of BI.

### MODBUS COMMUNICATION

Modbus is a network protocol for industrial manufacturing environments. The sensor communicates on a standard Modbus network using the RTU (Remote Terminal Unit) transmission mode. The hardware interface is RS-485.

ORDERING			PART NUMBER
PRODUCT	TNAP	Network All Purpose Duct/Immersion Temperature Sensor	TNAP
ENCLOSURE	A E	ABS, with hinged and gasketed cover Same as A, with thread adapter and cable gland fitting	
SENSOR	20	NTC Thermistor, ±0.2°C	
PROBE LENGTH	A B C D E F	50mm (2") 100mm (4") 150mm (6") 200mm (8") 300mm (12") 450mm (18")	
COMMUNICATION OUTPUT	B M	BACnet® Modbus	
ACCESSORY	0201001092	T1-AP Thermowell Adapter	

NOTE: Greystone Energy Systems, Inc. reserves the right to make design modifications without prior notice.