

Introduction

The CMD-CALPCB-5B4 CO Replacement sensor module is for use on the CMD5B4 series wall mount CO monitor.

The CMD-CALPCB-5B4 comes pre-calibrated, so no adjustments are needed.

All set up parameters are stored in the non-volatile memory, so no set up of the device is required.

Installation:

Read these instructions carefully before removing and replacing the CO sensor module.

Failure to follow these instructions may result in product damage, and/or personal injury. Take electrostatic discharge precautions during installation and do not exceed the device ratings.

Leave the new sensor module in the provided anti-static bag and set aside until ready for installation.

Remove the 2 security screws using a Phillips screwdriver and set aside. (See Figure 1)

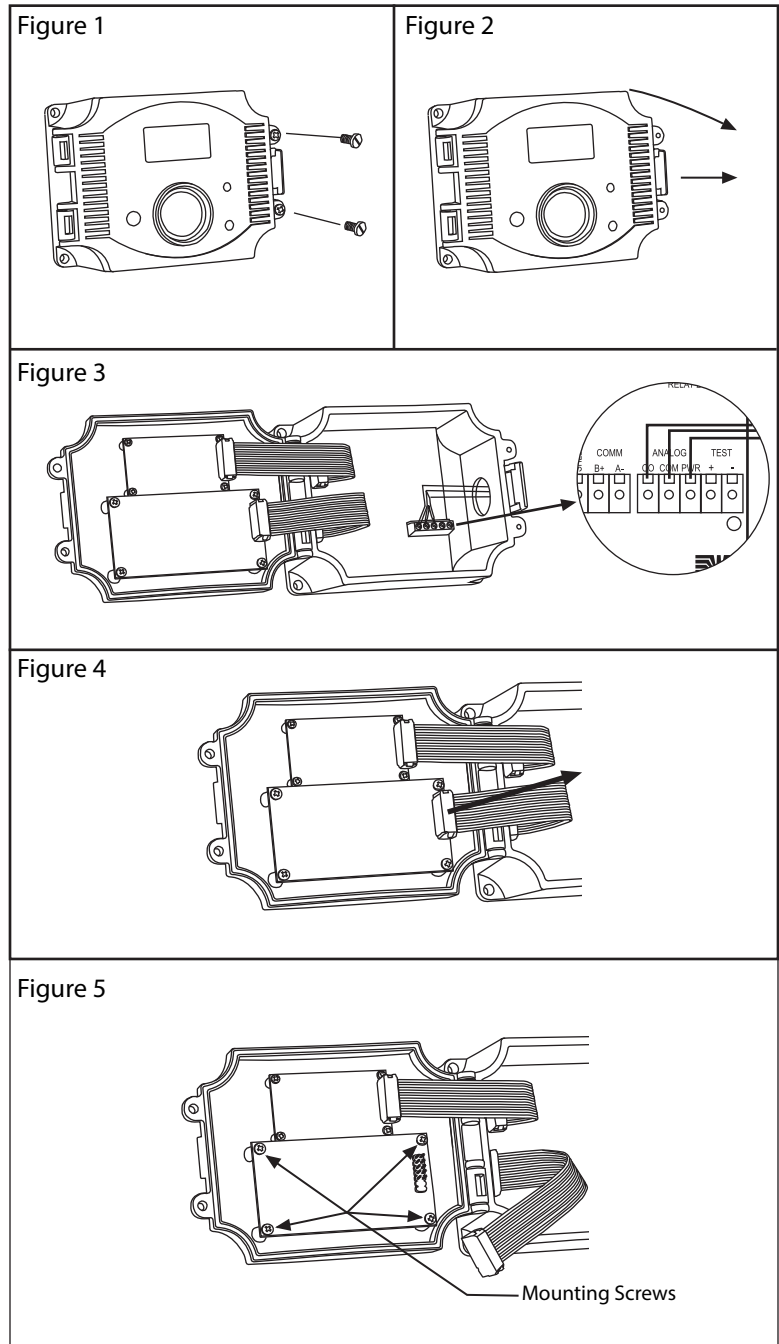
Using your thumb, pull the latch away from the enclosure until the cover is released and swing open. (See Figure 2). The sensor module is mounted on the backside of the cover.

Remove power prior to removal and installation of the sensor module. Remove the wire from the "PWR" terminal on the main board. (See Figure 3) For safety, apply a small piece of electrical tape or a wire nut to the power wire.

Using your thumb and index finger, grasp the ribbon connector that is attached to the backside of the sensor module and gently pull off. (See Figure 4)

With a Phillips screwdriver, remove the 4 mounting screws that secure the sensor module to the cover and set the screws aside. (See Figure 5)

With the old module removed, carefully remove the new module from the anti-static bag using the sides of the board.



Installation con't:

Orientate the board so that the potentiometers are on the bottom. (See Figure 6)

Align the 4 mounting holes on the sensor module with the mounting stand-offs located on the cover and re-install the mounting screws to secure the sensor module. Do not overtighten. (See Figure 7)

Re-install the ribbon connector to the sensor module by aligning and gently pushing into place. (See Figure 8)

Remove the electrical tape or wire nut from the power wire and re-connect to the "PWR" terminal. (See Figure 9). A complete wiring detail is provided. (See Figure 12)

Start up:

The device will initially start up in warm-up mode which lasts for about two minutes. Immediately after applying power the LCD will display the software version number and begin a two minute countdown. If the product has a communication option installed it will also display the ModBus address and baud rate (for ModBus) or the MAC ID, device instance and baud rate (for BACnet). The alarm buzzer will also beep.

During the warm-up mode the alarm relays will be set to off, the LED will flash red, all communications are disabled, the key pad is disabled and the analog output will be set to it's minimum value.

After start up, the device will revert to the settings used prior to sensor module replacement.

Close the cover by swinging and press firmly until the latch engages the cover (See Figure 10)

Using a Phillips screwdriver, re-install the 2 security screws. (See Figure 11).

For complete CMD installation and set up instructions, visit our website.

