

Introduction

The CO2/RH/T transmitter incorporates three sensors for the most efficient environmental monitoring and control solution. It uses Infrared Technology to monitor CO2 levels, a field-proven RH sensor to measure RH levels and a precision thermistor to measure temperature. All three measurements are displayed on the LCD and are also available as linear 4-20 mA or 0-5/0-10 Vdc output signals. An optional control relay may also be added to the device and features include a back-lit LCD and user menu for easy installation.

Before Installation

Read these instructions carefully before installing the CO2/RH/T transmitter. Failure to follow the instructions may result in product damage. Do not use in explosive or hazardous environments, with combustible or flammable gases, as a safety or emergency stop device or in any application where failure of the product could result in personal injury. Take electrostatic discharge precautions during installation and do not exceed the device ratings.

Mounting

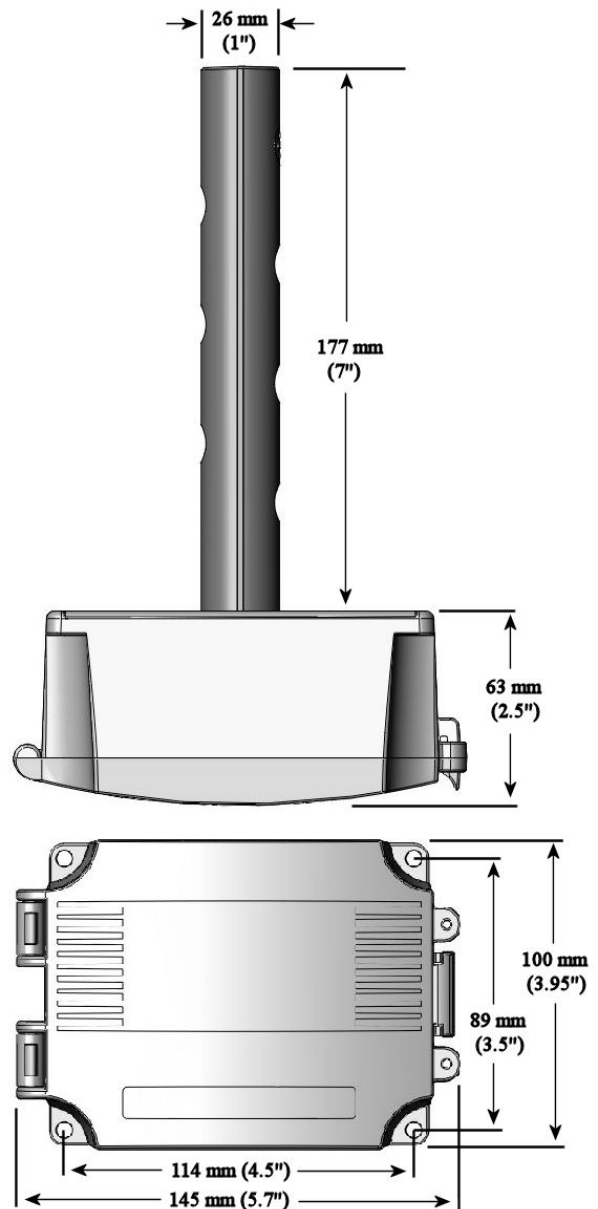
The duct sensor installs on the outside of a return air duct with the sampling tube inserted into the duct. Use the included foam plug to prevent air from entering the enclosure from the conduit and causing reading errors.

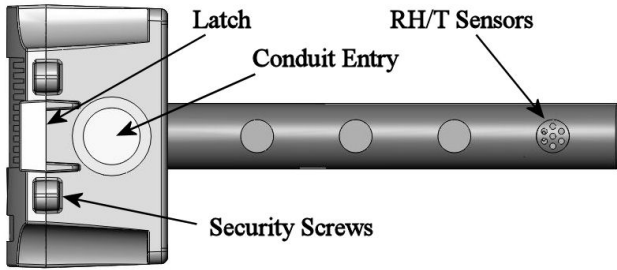
Mount the sensor in an easily accessible location in a straight section of duct at least five feet from corners or other items that may cause disturbances in the air flow. Avoid areas where the detector is exposed to vibrations or rapid temperature changes.

The principal of operation is based on the Venturi effect of the probe that extends into the HVAC duct. Air flowing through the duct is forced into the vent holes on one side of the probe, into the enclosure, over the CO2 sensor and then the air is drawn back out of the enclosure via the vent holes on the opposite side of the probe.

Drill or punch a 1-1/8" or 1-1/4" hole in the duct at the preferred location and insert the probe into the hole to mark the enclosure mounting holes. Remove the unit and drill the four holes and clean all holes of debris. Mount the device to the duct with four sheet metal screws such that the duct air flow is parallel with the vent holes in the probe (i.e.: air flows directly into the probe holes). To prevent air leaks, ensure the gasket is compressed around the probe between the device enclosure and the air duct.

Open the cover by releasing the latch and connect the device according to the wiring instructions. After wiring and setup are complete, close and latch the cover. Secure it with two self-tapping screws in the holes provided.





Wiring

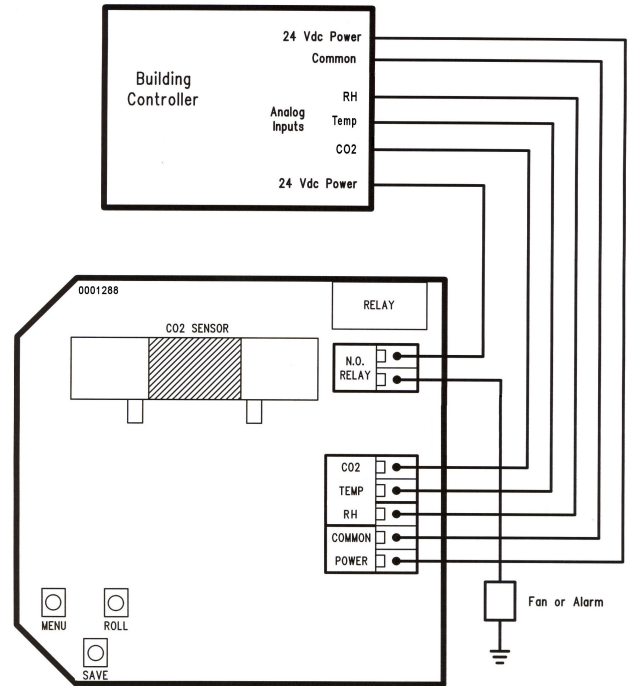
Deactivate the 24 Vac/dc power supply until all connections are made to the device to prevent electrical shock or equipment damage. Follow proper electrostatic discharge (ESD) handling procedures when installing the device or equipment damage may occur. Use 22 AWG shielded wiring for all connections and do not locate the device wires in the same conduit with wiring used to supply inductive loads such as motors. Make all connections in accordance with national and local codes.

This is a 3-wire sourcing device. Connect the plus dc or the ac voltage hot side to the **POWER** terminal. The supply common is connected to the **COMMON** terminal. The device is reverse voltage protected and will not operate if connected backwards. It has a half-wave power supply so the supply common is the same as the signal common. Several devices may be connected to one power supply and the output signals all share the same common. Use caution when grounding the secondary of a transformer or when wiring multiple devices to ensure the ground point is the same on all devices and the controller.

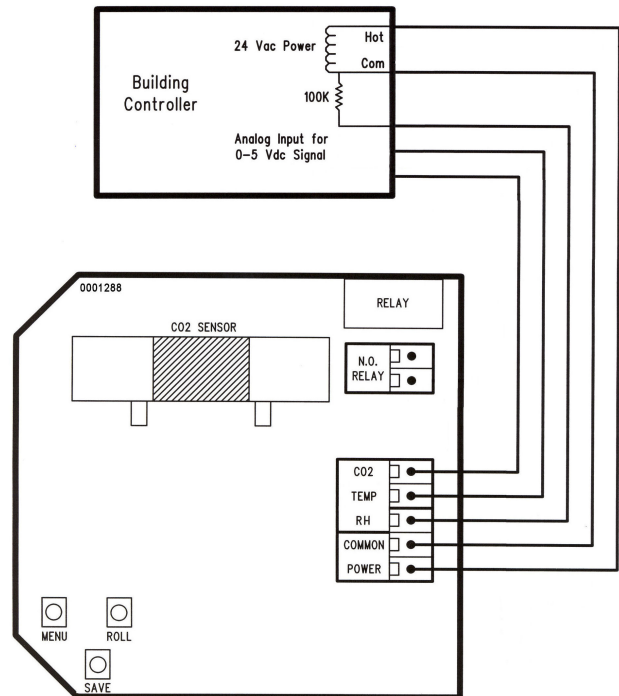
The analog outputs are available on the **CO2**, **RH** and **T** terminals. The signal type can be ordered as either voltage or 4-20 mA active outputs. The voltage model is selectable for either 0-5 or 0-10 Vdc via the menu (the factory default is 0-5 Vdc). The current output operates in the active mode and does not require a loop power supply. This means that the signal current is generated by the transmitter and must not be connected to a powered input or device damage will result. Check the controller Analog Input to determine the proper connection before applying power. Both current and voltage signals are referenced to the **COMMON** terminal. The analog output signals are typically connected directly to the Building Automation System (B.A.S.) and used as control parameters.

An optional signal is the relay output available on the **N.O. RELAY** terminals. The relay output is completely isolated and has a Normally Open (NO) signal. This signal can be used to directly control an alarm or ventilation fan.

Typical 4-20 mA wiring with 24 Vdc



Typical 0-5 Vdc wiring with 24 Vac



Start-up

Verify the device is properly wired and connections are tight. Apply power and the LCD will indicate the software version, output signal type, relay setpoint (if installed), CO2 measurement range, temperature scale and then the sensor will begin reading the sensors, output the correct analog signals and display the values on the LCD.

Outputs

The CO2 output is scaled such that 4-20 mA (or 0-5/0-10 Vdc) equals 0 to Out_High. Depending on the model ordered, the factory default is either 0-2000 ppm or 0-20,000 ppm. The Out_High value can be changed in the Setup Menu and the output signal is scaled accordingly.

The RH and temperature outputs operate similar to the CO2 output. RH is scaled 0-100 %RH and temperature defaults to 32-95 °F but can be changed to 0-35 °C, 0-50 °C or 32-122 °F using the Setup Menu.

For voltage output models, the factory default is 0-5 Vdc and can be changed to 0-10 Vdc in the Setup Menu.

Operation

The CO2, RH and Temperature signals are connected to the BAS analog inputs. The BAS reads the voltage or current signals and calculates actual values using correct scaling for the ranges and signal type. These values can be used to control ventilation devices or initiate alarms. All values are displayed locally on the LCD. The Setup Menu can be used to modify the displayed information.

If the relay is installed it can control a small fan or alarm by setting the trip value and hysteresis in the Setup Menu.

Calibration

The RH and temperature measurements typically do not need any calibration for the life of the product. Both values may have user offsets assigned in the Setup Menu.

CO2 calibration with gas requires a field calibration kit with pressure regulator, necessary tubing and appropriate bottles of CO2 gas. Note that the procedure depends on the device model. The standard model requires only a single point 1000 ppm calibration to meet specified accuracy due to the Automatic Calibration Mode and other technology incorporated into the CDD5A/B series.

The CDD5C/D dual-channel sensor with extended range requires a 3-point calibration with 0, 1000 and 20,000 ppm gas (in order).

0 PPM Calibration (For CDD5C/D models only)

Turn the regulator knob off and attach it to the Nitrogen gas bottle and hand tighten. Open the cover of the unit to

be calibrated to expose the gas sensor chamber. The tubing from the gas bottle can be connected to either port on the chamber after the protective plastic cap is removed. Gently remove one cap and connect the tubing, note that strong shock or vibration can affect calibration.

Ensure the device has been operating normally for at least five minutes before applying gas. Turn the valve knob on the regulator to start the gas flow. The regulator will restrict the flow rate to the specified 100 ml/min. After a brief period the gas will flow into the chamber. Wait 1 to 2 minutes while the CO2 stabilizes.

Enter the Setup menu and use the <MENU> key to advance to **Calibrat 0 PPM**. Press and hold the <SAVE> key for 2 seconds and the display will change to **Waiting Calibrat** then to **Waiting 5 minute** to indicate that the process of setting the internal calibration is taking place.

This takes about 5 minutes while the LCD counts down. Do not disturb the unit or the gas flow. When complete the unit will display **Calibrat Done**. Press the <SAVE> key to return to normal operation and shut the gas off.

1000 PPM Calibration (For all CDD models)

Connect the 1000 ppm CO2 gas bottle and apply the gas as described above. The CO2 reading on the LCD will begin to approach 1000 ppm. Wait 1 to 2 minutes while the CO2 reading stabilizes.

Enter the Setup menu and use the <MENU> key to advance to **Calibrat 1000 PPM**. Press and hold the <SAVE> key for 2 seconds and the display will change to **Waiting Calibrat** then to **Waiting 5 minute** to indicate that the device is calibrating. Again, this process takes about 5 minutes. When calibration is complete the unit will display **Calibrat Done**. Press the <SAVE> key to return to normal operation and shut the gas off.

20,000 PPM Calibration (For CDD5C/D models only)

Connect the 20,000 ppm CO2 and apply the gas as before. The LCD will begin to approach 20,000 ppm. Wait 1 to 2 minutes while the CO2 reading stabilizes.

Enter the Setup menu and use the <MENU> key to advance to **Calibrat 20,000 PPM**. Press and hold the <SAVE> key for 2 seconds and the display will change to **Waiting Calibrat** then to **Waiting 5 minute**.

Again, wait 5 minute and when calibration is complete the unit will display **Calibrat Done**. Press the <SAVE> key to return to normal operation and shut the gas off. Disconnect the tubing and replace the cap on the sensor chamber as calibration is complete.

Setup Menu

The menu has several items shown below. Some items change depending on the hardware configuration and the CO2 sensor. To enter the menu, press and release the <MENU> key while in normal operation. This enters the SETUP menu step 1, pressing the <MENU> key again advances to step 2. Each press of <MENU> advances the menu item. No values are saved or changed by using <MENU>. The <ROLL> key is used to make changes to program variables by scrolling through the available options. When a value is changed, use the <SAVE> key to save it to memory and advance to the next menu item.

<MENU> Press and release the <MENU> key to enter the SETUP menu

If the 2000 ppm CO2 sensor is installed (CDD5A/B models)

1. Out High 2000 ppm The default CO2 range is 0-2000 ppm. The span can be changed from 1000 to 7500 ppm in increments of 500. Use the <ROLL> key to change the value and <SAVE> to save. The factory default is 2000 ppm.

If the 20,000 ppm CO2 sensor is installed (CDD5C/D models)

1. Out High 20000 ppm The default CO2 range is 0-20,000 ppm. The span can be changed from 2000 to 20,000 ppm in increments of 500. Use the <ROLL> key to change the value and <SAVE> to save. The factory default is 20,000 ppm.

<MENU>

2. Altitude 0 Ft The default is 0 feet. Change by using the <ROLL> key from 0 to 5000 feet in 500 ft increments. Change for CO2 local altitude correction and press <SAVE> to save a change.

<MENU>

This item is omitted if the 20,000 ppm dual-channel sensor is installed

3. Auto Cal ON Automatic Cal Mode default is ON to correct CO2 sensor drift to better than ± 10 ppm per year. Change with the <ROLL> key and save using <SAVE>. ON is recommended for applications where the CO2 level will be close to normal (400 ppm) at least once per day. If a building is occupied 24 hours and the CO2 level is fairly constant then this should be set to OFF.

<MENU>

4. Temp C/F °F The temperature scale defaults to Fahrenheit (°F). It can be changed to Celsius (°C) using the <ROLL> key. Save changes by using the <SAVE> key.

<MENU>

5. T Range 32-95 °F Two temperature ranges are available, 0-35 °C (32-95 °F) or 0-50 °C (32-122 °F). This can be changed using <ROLL> and saved with <SAVE>. The available range will depend on the C or F menu selection.

<MENU>

6. Display Mode 4 Select parameters normally displayed on the LCD. 1 = CO2 only, 2 = CO2 + RH, 3 = CO2 + T and 4 = CO2 + RH + T. The factory default is 4.

<MENU>

7. T Offset 0 °F This item allows calibration of the temperature sensor. Use <ROLL> to add an offset to the temperature signal and display, then press <SAVE>. -1 subtracts 1 degree Fahrenheit from the temperature and +1 adds 1 degree F to the temperature. The range is -9 to +9 °F.

<MENU>

8. H Offset 0 %RH This item allows calibration of the RH sensor. Use <ROLL> to add an offset to the RH signal and display, then press <SAVE>. -1 subtracts 1 %RH and +1 adds 1 %RH. The range is -10 to +10.

<MENU>

Items 9, 10 and 11 are only available if the Relay Option is installed, otherwise the menu skips directly to step 12.

9. Relay SP The relay trip setpoint default is 1000 ppm. It can be changed from 500 to 5000 in 100 ppm increments
1000 ppm for the 2000 ppm CO2 sensor or 500 to 15,000 for the 20,000 ppm sensor. Save changes by using the
<SAVE> key.

<MENU>

10. Relay Hy The relay hysteresis default is 50 ppm. This can be changed from 25 to 200 in 25 ppm increments for
50 ppm the 2000 ppm sensor or 25 to 500 ppm for the 20,000 ppm sensor. Use <SAVE> to save any change.

<MENU>

11. Relay Use the <ROLL> key to toggle the relay ON or OFF for testing purposes. Press either <SAVE> or
Test OFF <MENU> to turn the relay off and advance to the next item.

<MENU>

This item is omitted for 4-20 mA current output models

12. Out Type The factory default output type is 0-5 Vdc. Use the <ROLL> key to change the value to 0-10 Vdc if
0-5 Vdc necessary. Press the <SAVE> key to save.

<MENU>

13. Output Use the <ROLL> key to toggle all outputs OFF (normal operation), MIN (minimum output) or MAX
Test OFF (maximum output) for testing purposes. Press either <SAVE> or <MENU> to set it back to OFF and
advance to the next item.

<MENU>

This item is omitted if the 2000 ppm CO2 sensor is installed

14. Calibrat This item is used for 0 ppm gas calibration and is explained in the *Calibration* section.
0 PPM

<MENU>

15. Calibrat This item is used for 1000 ppm gas calibration and is explained in the *Calibration* section.
1000 PPM

<MENU>

This item is omitted if the 2000 ppm CO2 sensor is installed

16. Calibrat This item is used for 20,000 ppm gas calibration and is explained in the *Calibration* section.
20000 PPM

<MENU>

17. BackLite Use the <ROLL> key to enable or disable the LCD backlight. When enabled the backlight is always on,
Enable when disabled it never lights. Press the <SAVE> key to save the setting. The factory default is Enable.

<MENU>

18. Restore Press the <SAVE> key to restore all factory defaults and calibration to original factory settings.
Defaults

<MENU>

19. Menu Press <SAVE> to exit the menu and return to normal operation or <MENU> to repeat the menu.
Exit

General Specifications

Power Supply 20 – 28 Vac/dc (non-isolated half-wave rectified)
 Consumption 145 mA max @ 24 Vdc, 260 mA max @ 24 Vac (mA models)
 85 mA max @ 24 Vdc, 150 mA max @ 24 Vac (voltage models)
 Output Signals 4-20 mA active (sourcing) or 0-5 Vdc / 0-10 Vdc
 Output Drive Capability 550 ohms maximum for current output, 5 Kohm min for voltage output
 Output Resolution 10 bit PWM
 Input Voltage Effect Negligible over specified operating range
 Protection Circuitry Reverse voltage protected, overvoltage protected
 Operating Conditions 0-50 °C (32-122 °F), 0-95 %RH non-condensing
 LCD Resolution 1 ppm CO2
 LCD Size 1.4" w x 0.6" h (35 x 15 mm) alpha-numeric 2 line x 8 characters
 LCD Backlight Enable or disable via keypad
 Wiring Connections Screw terminal block (14 to 22 AWG)
 Enclosure 5.7" w x 3.95" h x 2.5" d (145 x 100 x 63 mm)
 Duct Probe 7" (177 mm) long x 1" (25.4 mm) diameter

CO2 Signal

Measurement Type Non-Dispersive Infrared (NDIR), diffusion sampling
 Measurement Range 0-2000 ppm, (CDD5A/B), 0-20,000 ppm (CDD5C/D), programmable span
 Standard Accuracy ± 30 ppm + 3% of reading (CDD5A/B with Auto Cal)
 ± 75 ppm or 10% of reading (whichever is greater) (CDD5C/D with dual channel sensor)
 Temperature Dependence 0.2 %FS per °C
 Stability < 2 %FS over life of sensor (15 year typical) (CDD5A/B)
 < 5 %FS or < 10% of reading annual (CDD5C/D)
 Pressure Dependence 0.135 % of reading per mm Hg
 Altitude Correction Programmable from 0-5000 ft via keypad
 Response Time < 2 minutes for 90 % step change typical
 Warm-up Time < 2 minutes

Temperature Signal

Sensing Element 10K thermistor, ± 0.4 °F (± 0.2 °C)
 Range 32-95 °F (0-35 °C) or 32-122 °F (0-50 °C) selectable via keypad

RH Signal

Sensor Thermoset polymer based capacitive
 Accuracy ± 2 %RH
 Range 0-100 %RH, non-condensing
 Hysteresis ± 3 %RH
 Response Time 15 seconds typical
 Stability ± 1.2 %RH typical
 @ 50 %RH in 5 years

Optional Relay Output

Contact Ratings Form A contact (N.O.)
 2 Amps @ 140 Vac
 2 Amps @ 30 Vdc
 Relay Trip Point Programmable via keypad
 Relay Hysteresis Programmable via keypad

