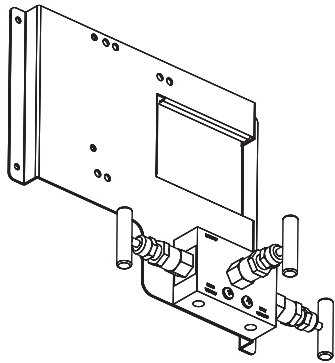


Valve Bracket and 3-Way Manifold

Installation Instructions



INTRODUCTION

For installation of a valve bracket with a 3-way manifold onto a differential pressure transmitter.

BEFORE INSTALLATION

Read these instructions carefully before installing and commissioning the horticulture sensor. Failure to follow these instructions may result in product damage. Do not use in an explosive or hazardous environment, with combustible or flammable gases, as a safety or emergency stop device or in any other application where failure of the product could result in personal injury. **Do not exceed the device ratings.**

REPLACEMENT

STEP 1 - Attach the differential pressure enclosure to the backplate using the supplied screws.

STEP 2 - Detach the "High" sensor from the cable. Screw into the high port on the top of the manifold as marked (use of Teflon tape is recommended to prevent leaks). Re-attach cable.

STEP 3 - Detach the "Low" sensor from the cable. Screw into the low port on the top of the manifold as marked (use of Teflon tape is recommended to prevent leaks). Re-attach cable.

STEP 4 - Coil and tie wrap any excess sensor cable.

Figure 1

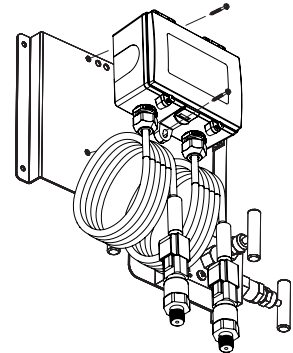


Figure 2

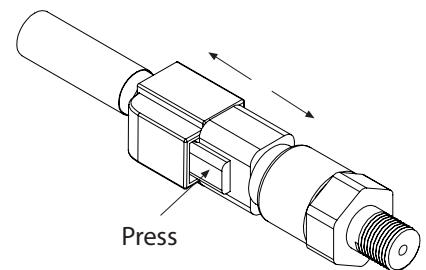


Figure 3

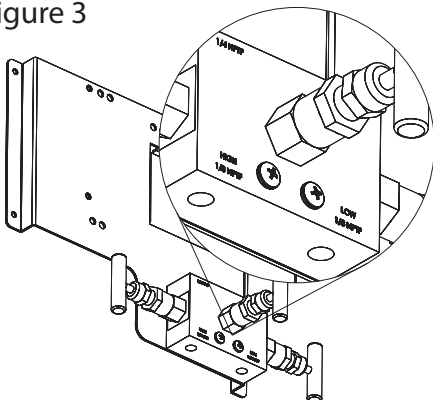


Figure 4

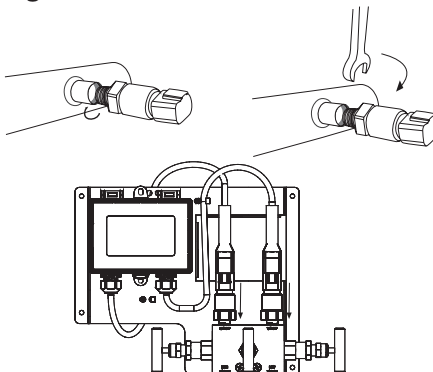


Figure 5

