

Strap-on High Limit Thermostat

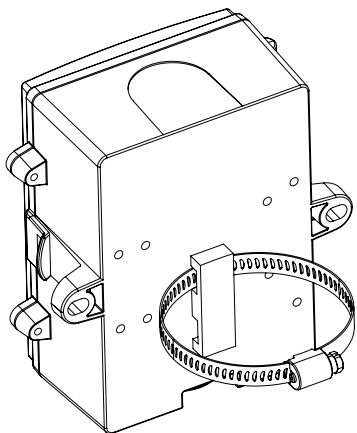
Installation Instructions

INTRODUCTION

The single point strap-on low limit thermostat incorporates a precision thermistor temperature sensor and provides a Form C relay output (NO/NC) with an adjustable setpoint. The sensor is encapsulated in an 38.1 mm x 12.7mm (1.5" x 0.5") aluminum plate. A 254 mm (10") S/S Pipe clamp is provided to secure the assembly to various sizes of pipe. All probes are constructed to provide excellent heat transfer, fast response and are potted to resist moisture penetration. A hinged and gasketed Polycarbonate enclosure is included for ease of installation.

BEFORE INSTALLATION

Read these instructions carefully before installing and commissioning the temperature transmitter. Failure to follow these instructions may result in product damage. Do not use in an explosive or hazardous environment, with combustible or flammable gases, as a safety or emergency stop device or in any other application where failure of the product could result in personal injury. **Do not exceed the device ratings.**



MOUNTING

The strap-on sensor installs directly onto any pipe where an immersion sensor with thermowell cannot be installed.

Once a suitable spot is selected, remove a small block of insulation, if present. It is recommended that thermal compound be used to improve heat transfer. Spread a liberal amount on the pipe. Open the worm gear clamp by swiveling the worm gear away from the clamp and pull the clamp apart, as shown in Figure 1.

Place the sensor plate on the selected mounting area and wrap clamp around the pipe. Re-insert clamp under the worm gear and pull until snug. Lock in place by swiveling the worm gear towards the clamp. Tighten worm gear clamp by using a standard screw driver or hex nut driver as shown in Figure 2.

The enclosure has a hinged cover with a latch. Open the cover by pulling slightly on the latch on the right side of the enclosure. At the same time pulling on the cover, as illustrated in Figure 3.

A 1/2" NPT threaded connection hole is provided in the bottom of the enclosure. Screw the EMT connector or cable gland connector in until tight. See Figure 4. It is recommended that weatherproof conduit or cable gland fittings be used. A 1/2" NPT to M16 thread adapter and cable gland fitting is available.

Make wiring connections as per the "Wiring" illustrations on Page 2.

Swing door closed until securely latched. For added security, 2 screws are provided that may be installed in the integrated screw tabs. See Figure 5.

Figure 1

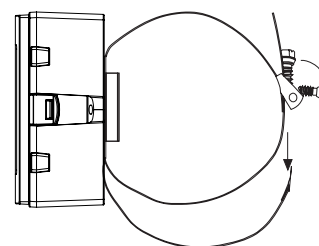


Figure 2

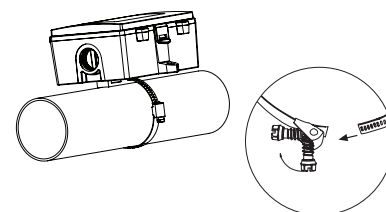


Figure 3

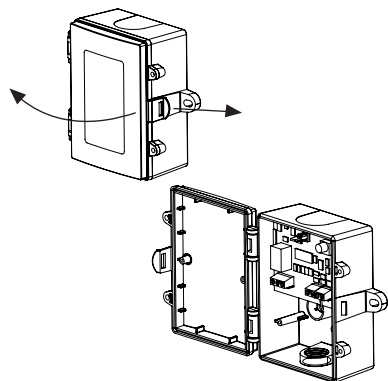


Figure 4

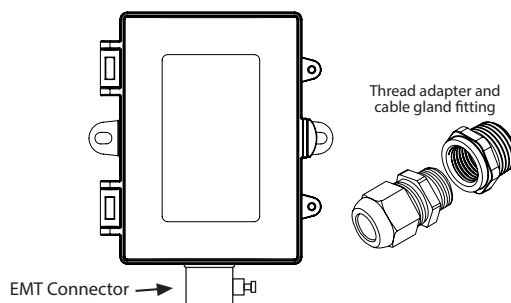
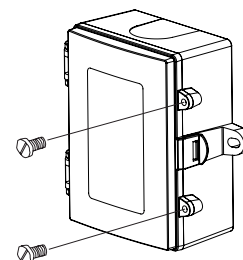
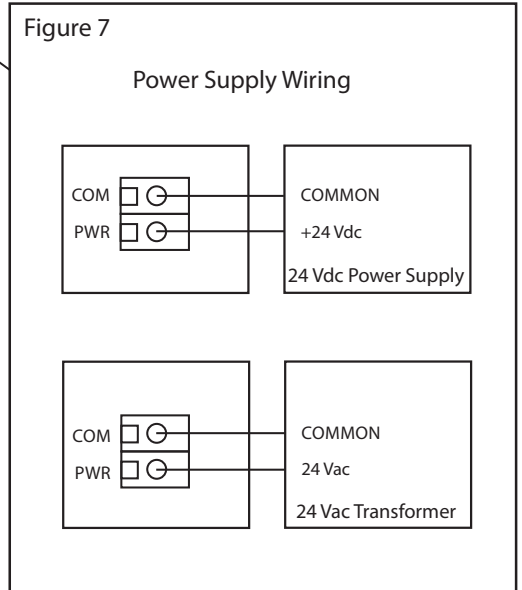
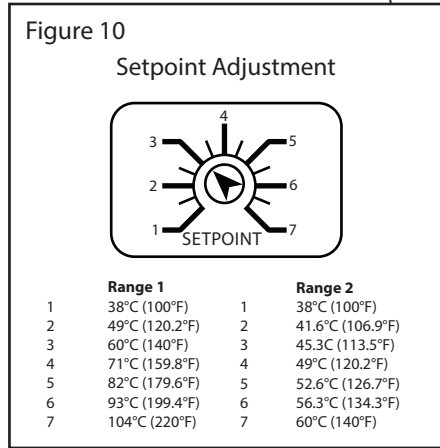
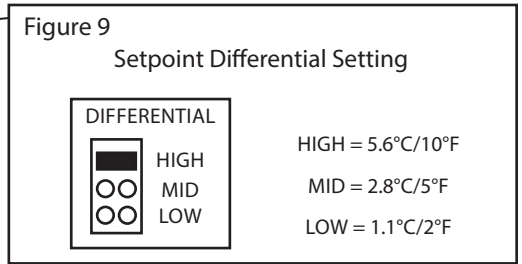
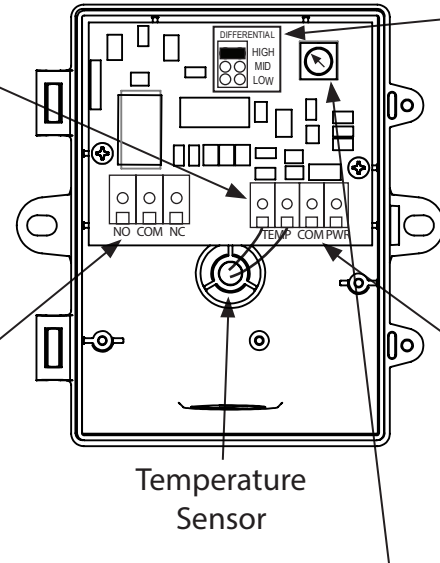
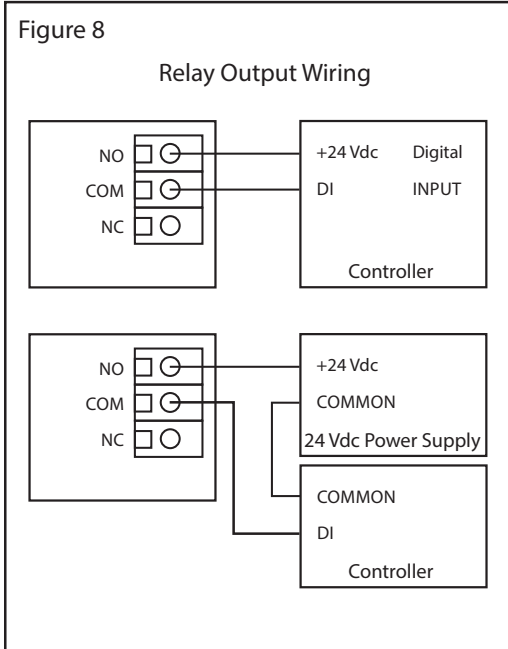
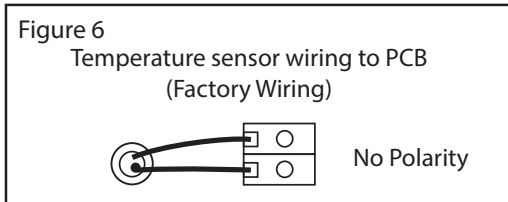


Figure 5



WIRING

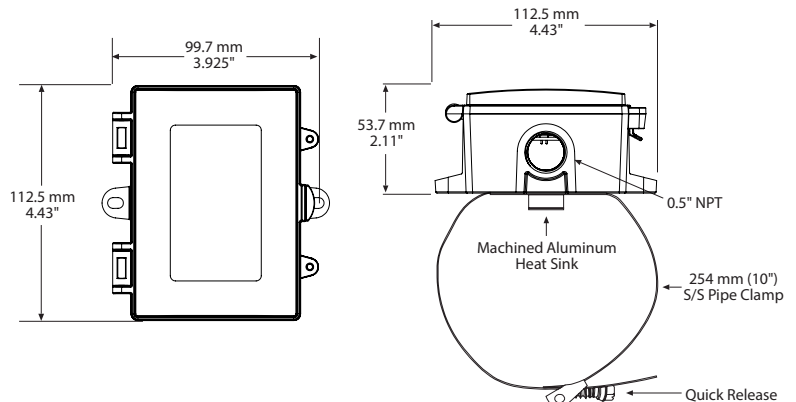
- Deactivate the 24 Vac/dc power supply until all connections are made to the device to prevent electrical shock or equipment damage.
- Use 14-22 AWG shielded wiring for all connections and do not locate the device wires in the same conduit with wiring used to supply inductive loads such as motors. Make all connections in accordance with national and local codes.
- The temperature thermostat comes with the temperature sensor pre-wired to the PCB. If removal is required for installation then it may be re-wired as shown in Figure 6.
- Pull at least six inches of control wire into the enclosure, then complete the wiring connection according to the wire diagram for the applicable power supply as shown in Figure 7.
- Connect the DC positive or the AC voltage hot side to the PWR terminal. The supply common is connected to the COM terminal. See Figure 7.
- The relay has both Normally Open (NO) and Normally Closed (NC) contacts available. The relay output is available on the NO/COM/NC terminal. Make connections before applying power as shown in Figure 8.
- The setpoint differential has 3 jumper selectable settings (Low/Mid/High). Set jumper to desired differential as shown in Figure 9.
- To set the switching setpoint, turn the setpoint potentiometer to the desired temperature setting as shown in Figure 10.
- Once all connection settings are made and checked, power can be applied.



SPECIFICATIONS:

Power Supply:.....12 to 28 Vac/dc
Consumption:.....50 mA max
Relay Contacts:.....SPDT, Form C contacts (N.O. and N.C.)
5 Amps @ 30 Vac/250 Vac resistive
1.5 Amps @ 30 Vdc/250 Vac inductive
Relay Action:.....Activates on temperature rise - Auto reset
Setpoint Operation:.....Single-turn knob-pot on PCB
Adjustable Setpoint:.....**Range 1:** 38 to 104°C (100 to 220°F)
Range 2: 38 to 60°C (100 to 140°F)
Temperature Differential:.....**Low:** 1.1°C (2°F) **Mid:** 2.8°C (5°F) **High:** 5.6°C (10°F)
Jumper selectable
Temperature Sensor:.....10K ohm curve matched precision thermistor
Sensor Accuracy:.....±0.2°C, 0 to 70°C (±0.36°F, 32 to 158°F)
Probe Sensing Range:.....-20 to 105°C (-4 to 221°F)
Probe Material:.....Machined aluminum heat sink
Probe Diameter:.....38.1mm x 12.7mm (1.5" x 0.5")
Wire Material:.....PVC insulated, parallel bonded
Operating Conditions:.....-10 to 50°C (14 to 122°F), 5 to 95% RH, non-condensing
Storage Conditions:.....-30 to 70°C (-22 to 158°F), 5 to 95% RH, non-condensing
Wiring Connections:.....Screw terminal block (14 to 22 AWG)
Enclosure:.....Grey Polycarbonate UL94-V0, IP65 (NEMA 4X)
Optional thread adapter (1/2" NPT to M16)
and cable gland fitting
Country of Origin:.....Canada

DIMENSIONS



PRINTED IN CANADA