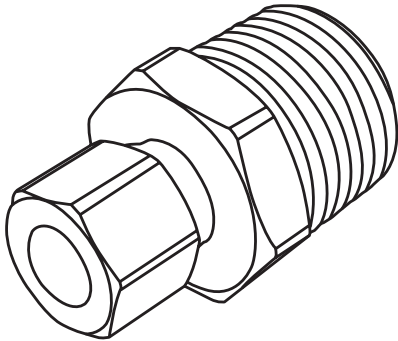


Thermowell Adapter

Installation Instructions



INTRODUCTION

The thermowell adapter is a brass type fitting used for installation of any temperature immersion type sensor with a probe of 6 mm (0.236") using a thermowell that has an internal 1/2" NPT threaded sensor connection.

MOUNTING

To ensure the sensor is inserted to the proper depth the sensor probe is required to be 50 mm (2") longer than the install thermowell. For example, a 150 mm (6") thermowell will require a sensor probe length of 200 mm (8").

To install, screw the adapter into the thermowell and tighten. See Figure 1.

Slide the sensor probe into the adapter until the probe hits the bottom of the thermowell. Tighten the compression nut to secure the probe in place as shown in Figure 2.

Complete the sensor installation and wiring as per sensor installation instructions.

DIMENSIONS

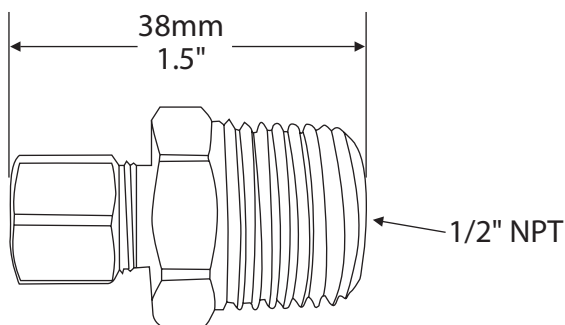


Figure 1

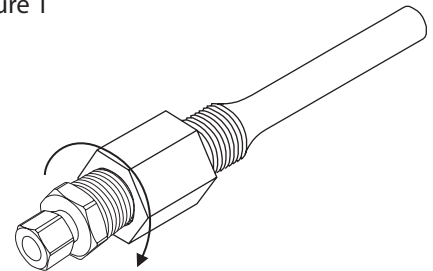


Figure 2

