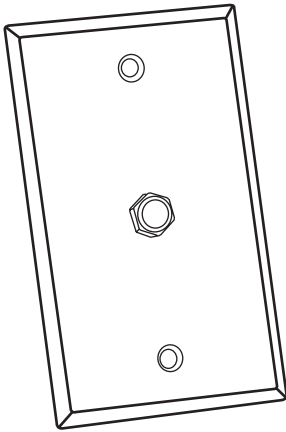


Room Humidity Transmitter

Installation Instructions



INTRODUCTION

The RPV is a stainless steel wall plate that incorporates a filtered port (2 scfm) with a 3.175 mm (1/8") barb connection for 1/8" ID pneumatic tubing and used in conjunction with a low pressure transmitter to monitor room pressure..

The RPV can be mounted on a standard 50.8 x 101.6 mm (2" x 4") junction box or directly to a wall or ceiling using anchors.

MOUNTING

The RPV installs on a standard 50.8 x 101.6 mm (2" x 4") junction box or can be mounted directly to the wall.

The RPV should not be mounted near doors, opening windows, supply air diffusers or other known air disturbances.

Pull the pre-installed pneumatic tubing from the electrical box, ceiling or wall. Use a minimal amount of pneumatic tubing as possible and cut off excess. (Using excess lengths of tubing may cause kinking which could lead to incorrect readings).

Slide the tubing onto the 3.175 mm (1/8") barb fitting on the back of the RPV until it completely covers the fitting. See Figure 1.

Carefully feed the pneumatic back into the junction box placing the RPV flush against the wall. Line up the mounting holes and install the included screws using a standard flat screwdriver. See figure 2.

Tighten screws until snug.

DIMENSIONS

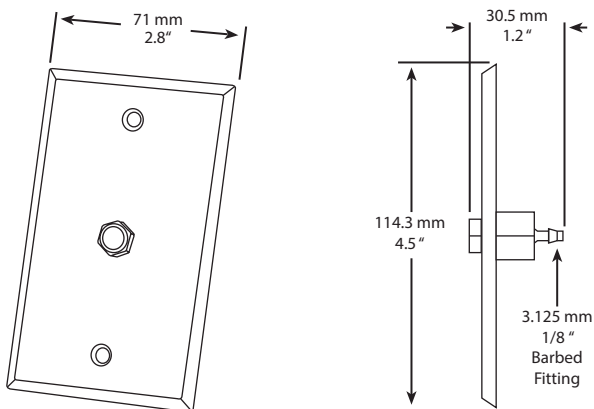


Figure 1

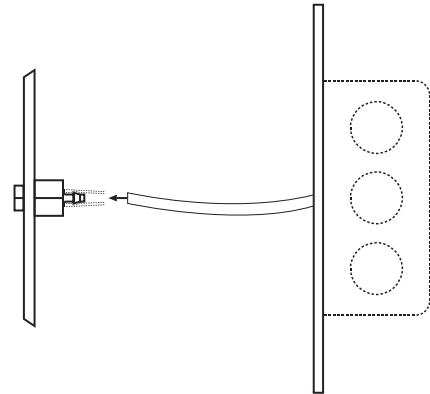


Figure 2

