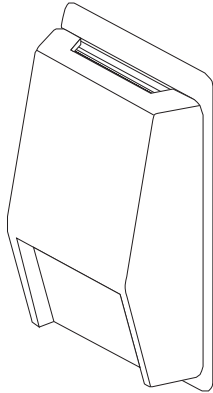


Room Humidity Transmitter

Installation Instructions



INTRODUCTION

This humidity transmitter uses a highly accurate and reliable Thermoset Polymer based capacitance humidity sensor and state-of-the-art digital linearization and temperature compensated circuitry in an attractive, low profile enclosure to monitor room humidity levels. An optional temperature sensor is also available.

BEFORE INSTALLATION

Read these instructions carefully before installing and commissioning the humidity transmitter. Failure to follow these instructions may result in product damage. Do not use in an explosive or hazardous environment, with combustible or flammable gases, as a safety or emergency stop device or in any other application where failure of the product could result in personal injury. Take electrostatic discharge precautions during installation. **Do not exceed the device ratings.**

MOUNTING

The humidity sensor installs on a standard electrical box or can be mounted directly to the wall. The humidity transmitter should be mounted five feet from the floor of the area to be controlled. Do not mount the sensor near doors, opening windows, supply air diffusers or other known air disturbances. Avoid areas where the sensor is exposed to vibrations or rapid temperature changes.

Begin by removing the cover. Grasp the bottom of the cover and pull outward from the backplate as shown in Figure 1. Set cover aside. Do not remove the PCB from the enclosure base.

Feed at least 6" of wire through the wall and out of the junction box. Feed connection wires through center hole on backplate and PCB, then secure backplate to electrical box or wall with suitable screws (not supplied) as shown in Figure 3. The mounting holes allow for up/down & side to side movement to compensate for an unlevel electrical box installation.

Make wire connections as per the "Wiring illustrations" on Page 2 and re-install decorative cover by placing the top of the cover into the cover holders on the top of the backplate and snapping the bottom into place.

Two 1/16" Allen Key set screws are provided on the bottom of enclosure to add security and lock cover in place. To engage, insert Allen Key and turn counter-clockwise 2-3 rotations. As seen in Figure 4.

Figure 1

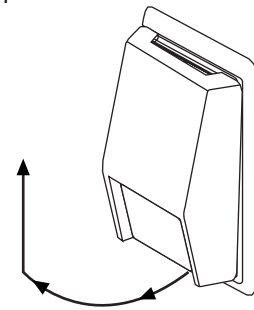


Figure 2

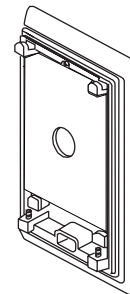


Figure 3

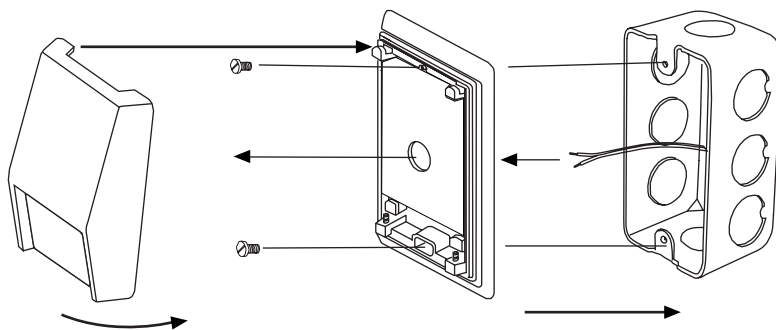


Figure 4

