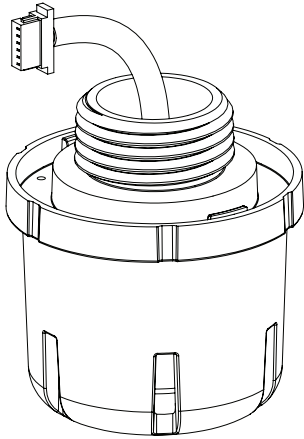


# Toxic Gas Monitor Sensor Pod Replacement

## Installation Instructions



### REPLACEMENT

STEP 1 – The enclosure has a hinged cover with a latch. Open the cover by pulling slightly on the latch on the right side of the enclosure as shown in Figure 1. Unplug harnesses from Main PCB. See Figure 3 for location of connectors on Main PCB.

STEP 2 – Unscrew Sensor POD from enclosure CCW. See Figure 2.

STEP 3 – Verify number of replacement POD matches POD being replaced. See Figure 5.

STEP 4 – Screw replacement POD into enclosure CW. See Figure 4.

STEP 4 – Plug harness into Main PCB.

For Remote NO<sub>2</sub> unit, sequence is the same as the main unit.

### INTRODUCTION

For replacement of the sensor pods on the Toxic Gas sensor series of products. The replacement PODs are calibrated at the factory. No initial field calibration is required when replacing PODs.

### BEFORE INSTALLATION

Read these instructions carefully before installing and commissioning sensor. Failure to follow these instructions may result in product damage. Do not use in an explosive or hazardous environment, with combustible or flammable gases, as a safety or emergency stop device or in any other application where failure of the product could result in personal injury. **Do not exceed the device ratings.**

Figure 1

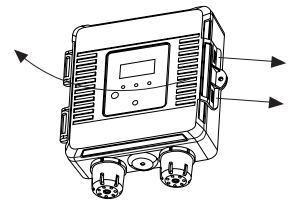


Figure 2

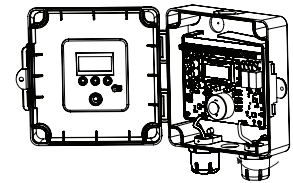


Figure 3

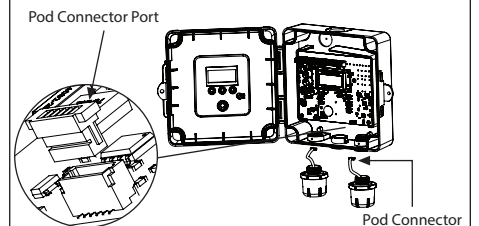


Figure 4

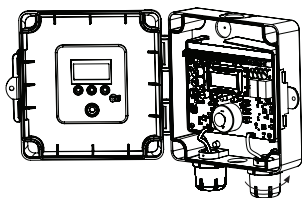


Figure 5

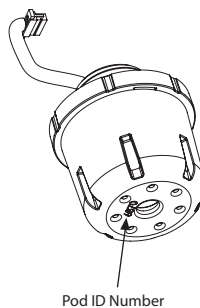


Figure 6

