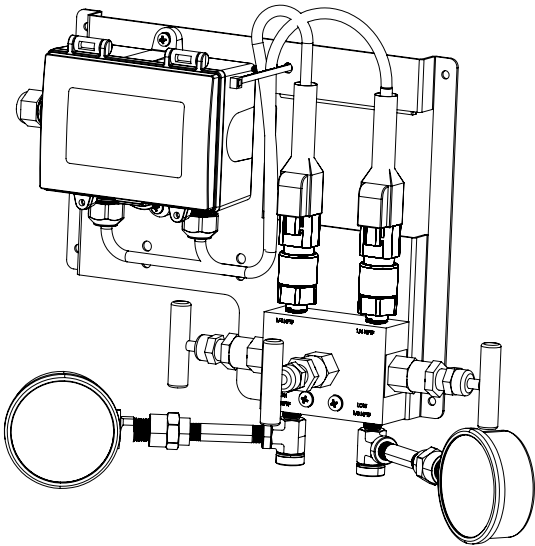


Liquid Pressure Gage Kit



INTRODUCTION

The differential pressure kit offers two liquid filled pressure gauge assemblies that assemble to both the differential and high-pressure differential transmitter using the supplied 1/8" brass male fitting tee.

Features include a stem mounted (2.5" Dial) Liquid Gauge with a #304 Stainless Steel Case, 1.5% Full Scale Accuracy, Operating Temperature of -20°C to +60°C (- 40°F to + 140°F), 0-100 or 0-600 PSI & meets ASME B40.100 Standards.

A liquid-filled dial reduces needle flutter for precise readings in high-vibration applications. The Stainless Steel Case provides excellent corrosion resistance.

BEFORE INSTALLATION

Read these instructions and the transmitter instructions carefully before installing the kit and commissioning the pressure

transmitter. Failure to follow both instructions may result in product damage. Do not use this device in an explosive or hazardous environment, with combustible or flammable gasses, as a safety or emergency stop device or in any other application where failure of the product could result in personal injury. **Follow electronic discharge precautions during installation and do not exceed the device ratings.**

MOUNTING

Screw both 1/8" male fitting Tees to the 1/8" NPT holes in the bottom of the 3-way valve manifold, use Teflon tape on the fittings (not supplied). See Figure 1. Set the Tee to the desired working angle.

Assemble each liquid gage assembly to the Tee, use Teflon tape (not supplied). See Figure 2.

Note that the High Port is on the left and the Low Port is on the right. Please refer to Differential Pressure Transmitter with Valve Bracket installation instructions for complete installation directions for the transmitter.

Figure 1

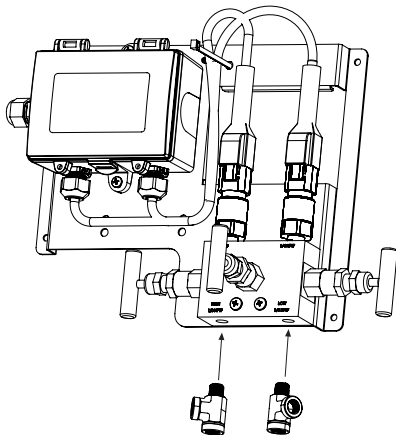
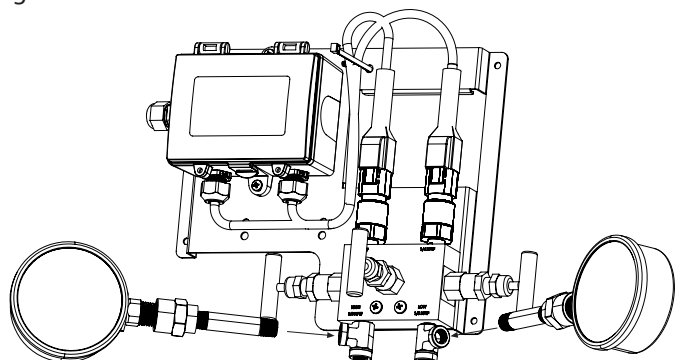


Figure 2



DIMENSIONS

