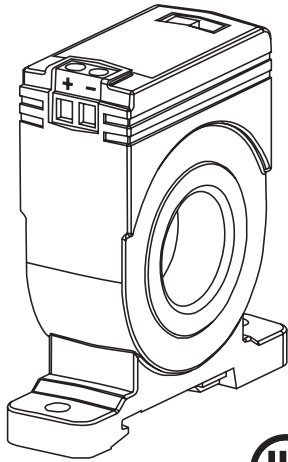


Current Switch

Installation Instructions



INTRODUCTION

The CS-610-200 current switch monitors line current for electrical loads such as pumps, conveyors, machine tools or fans and closes the output contacts when the adjustable trip point is exceeded. The power LED lights when line current is detected and is below the setpoint. The status LED lights when line current exceeds the setpoint and the switch closes. It is typically used to monitor motor operation and can be used to determine on/off status, proof of operation, motor failure or belt loss.

The sensor requires no external power as it is totally powered by induction from the AC line being monitored. The trip setpoint is factory set to the minimum value (1 Amp) but can be set up to 200 Amps by rotating the adjustment pot counter-clockwise.

WARNING

- **Electric shock hazard, use caution**
- Disconnect and lock out power before installation
- Follow national and local electrical codes
- Read and understand these instructions before installing
- Installation only by qualified electrical personnel
- Do not rely on this device to indicate line power
- Only install this device on insulated conductors
- Only install on 600 Vac maximum conductors
- Do not use this device for life-safety applications
- Do not install in hazardous or classified locations
- Install this product in a suitable electrical enclosure
- **Failure to follow these instructions will result in death or serious injury**

INSTALLATION

Read all warnings before beginning installation of this device. Ensure the selected device has the correct ratings for your application. **Disconnect and lock out power.** Do not locate the device wires in the same conduit with wiring used to supply inductive loads such as motors. Make all connections in accordance with national and local codes.

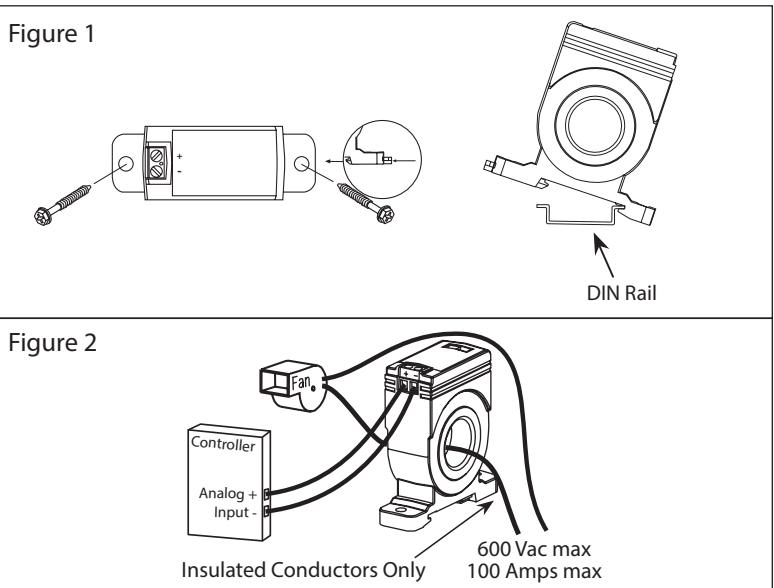
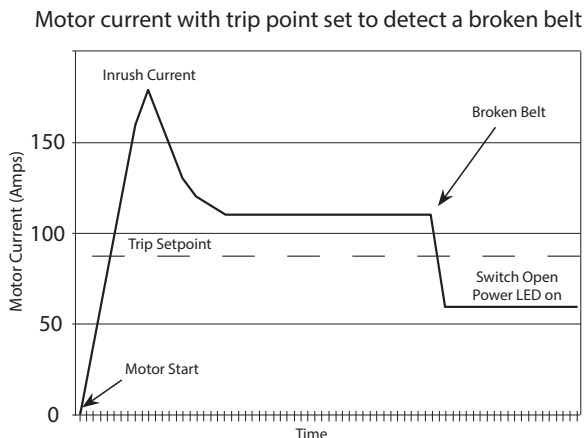
The base of the device has an integrated mounting tab to allow either screw mount to a surface or spring mount to a DIN rail.

To mount the device to a flat surface, select an area that will allow side and top access to the wire device. Slide the mounting tab in so that both mounting holes are accessible. If pre-drilling is required, use the device to mark the holes on the mounting surface. The mounting holes in the base will accommodate up to a #10 size screw (not supplied). See Figure 1.

For DIN rail mounting, first slide the mounting tab to its outer position and then hook the fixed end to the DIN rail and finally the tab end may be snapped onto the rail. The tab may be pulled out slightly to allow easier mounting or to remove the device from the rail. See Figure 1.

Place the monitored conductor (must be insulated) through the sensor hole and reconnect. Observe polarity and wire the output to the controller, see Figure 2. Use 14 to 22 AWG shielded wiring for all connections. Ensure the controller scale matches the sensed range. See specifications for model ranges.

Reconnect the power.



CALIBRATION

With the sensor installed, turn on the monitored load (motor, heater, etc.) and allow it to run normally. Since the CS is factory set to switch at 1 Amp the status LED should be lit and the contacts should be closed if the load draws more than 1 Amp. Using a small screwdriver, rotate the multi-turn setpoint control counter-clockwise until the status LED turns off. Then slowly turn the knob clockwise until the status LED just comes on. Turn clockwise slightly more to eliminate false switching. The CS is now set to detect an under-current condition. A voltmeter can be used across the contacts to verify switch operation.

APPLICATIONS

For applications with load currents exceeding the sensor current range use an external CT to reduce the current to an acceptable value. For example, to monitor a 500 Amp load current, use a 500A:5A CT and wrap the CT secondary through the CS-610-200 four times so the sensor actually only sees 20 Amps when the load current is 500 Amps.

For applications with very small load currents (such as less than 1 Amp), wrap the monitored conductor through the sensor aperture several times to increase the current measured by the sensor. For example, to monitor a 0-1 Amp load with a CS-610-200, wrap the conductor through the sensor aperture 5 times so the sensor actually sees 0-5 Amps.

For any application with multiple wraps, note that the CS-610-200 maximum current rating must be divided by the number of wraps. For example, with one wrap the maximum current is 200 Amps, with 5 wraps the maximum current is $200/5 = 40$ Amps. Ensure the load current is < 40 Amps or the device may overheat and be damaged.

SPECIFICATIONS

Setpoint Range.....	1 to 200 Amps adjustable
Maximum Input Current	200 Amps continuous
Sensor Power	Self-powered
Output Type	Solid-state mosfet
Output Switch Action	Normally open
Output Switch Ratings	30 Vac/dc, 500 mA maximum
Indication	Power and status LEDs
Von @ 24 Vdc @ 500 mA.....	<50 mV
Frequency	50/60 Hz
Response Time	200 mS typical
Insulation Class	600 Vac, insulated conductors
Operating Temperature.....	-15 to 50°C (5 to 122°F)
Operating Humidity	5 to 90 %RH, non-condensing
Terminal Block	14 to 22 AWG
Dimensions.....	67mm W x 68.6mm H x 24.1mm D (2.65" x 2.7" x 0.95")
Sensor Aperture.....	20.3mm (0.8")
Enclosure.....	ABS/PC, UL94 V-0
Manufacturing.....	ISO 9001 Certified
Agency Approvals	cULus Listed

DIMENSIONS

